

## Blender Station w/ Drainboard 25" and 30" Wide Units



Item #:	_____	Qty #:	_____
Model #:	_____		
Project #:	_____		



**PRDB-19 Series**  
25" Wide Units



**PRDB-24 Series**  
30" Wide Units



15A - 120V Duplex  
Receptacle Hidden  
Beneath Blender Shelf



**FEATURES:**

- Removable perforated drainboard top.
- Recessed blender shelf with grommet hole.
- 15A - 120V electrical duplex outlet hidden beneath shelf for blenders.
- Sound deadened.
- Stainless steel top, apron, sides and legs with 1" adjustable stainless steel bullet feet
- Adjustable stainless steel side cross-bracing
- 7" backsplash.
- PRDB-24 Series** has rear deck for extra storage

**MATERIAL:**

- Drainboard:** 18 gauge, 300 stainless steel
- Body Sides & Backsplash:** 20 gauge, 300 stainless steel
- Blender Shelf Sides:** 14 gauge, 300 stainless steel
- Legs:** 1 5/8" O.D. 18 gauge, 300 stainless steel with 1" adjustable stainless steel bullet feet

**MECHANICAL:**

- 1" IPS drain
- 15A - 120V duplex receptacle

**OPTIONAL:**

- A-15** - Chrome towel ring (packed loose)
- SU-24** - Connect underbar equipment

25" WIDE	Overall Length (L)	Dist. To Drain (A)	Dist. To Drain (B)	Approx. Weight	Approx. Cu. Ft.
Model #					
PRDB-19-12	12"	9"	4 3/4"	28 lbs.	9
PRDB-19-18	18"	15"	4 3/4"	30 lbs.	9

30" WIDE	Overall Length (L)	Dist. To Drain (A)	Dist. To Drain (B)	Approx. Weight	Approx. Cu. Ft.
Model #					
PRDB-24-12	12"	9"	9 3/4"	28 lbs.	11
PRDB-24-18	18"	15"	9 3/4"	30 lbs.	11

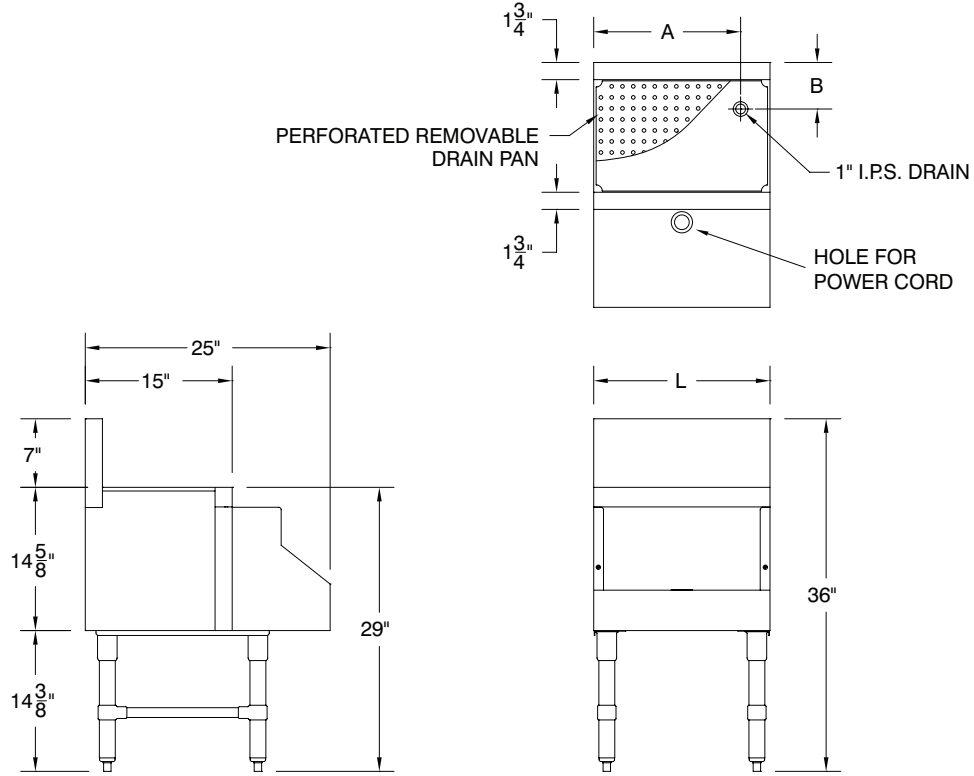
**NOTE:** Blender Stations Can Not Accommodate A Speed Rail

# DIMENSIONS and SPECIFICATIONS

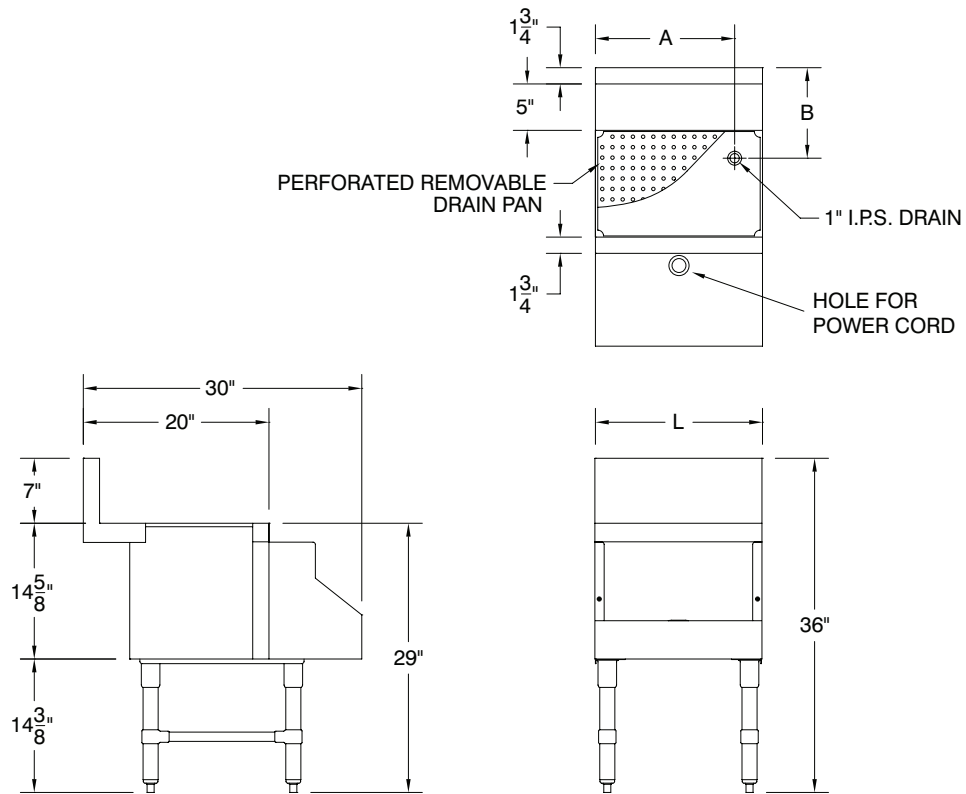
TOL Overall:  $\pm .500''$  Interior:  $\pm .250''$

ALL DIMENSIONS ARE TYPICAL

## PRDB-19 Series



## PRDB-24 Series



ADVANCE TABCO is constantly engaged in a program of improving our products. Therefore, we reserve the right to change specifications without prior notice.