

Prestige 19 Series

Spec Sheet No. PR-21

Job Name _____

Item # _____ Qty. _____

Model # _____

Liquor Storage Rack

Liquor Storage Rack

PRLR-19-12

PRLR-19-18

PRLR-19-24

PRLR-19-30

PRLR-19-36

Locking Liquor Storage Rack

PRLR-19-12-LC

PRLR-19-18-LC

PRLR-19-24-LC

PRLR-19-30-LC

PRLR-19-36-LC



PRLR-19-24 shown.

Specifications

- **Step:** 20 gauge 300 series stainless steel.
- **Retaining Bars:** 20 gauge 300 series mirrored stainless steel on the front and 20 gauge 300 series polished stainless steel on the back with sound deadening in the center.
- **Backsplash:** 20 gauge 300 series stainless steel.
- **Sides:** 14 gauge 300 series stainless steel.
- **Legs:** 14 gauge 300 series stainless steel mounting bracket with 1-5/8" O.D. 18 gauge 300 series stainless steel & 1" adjustable stainless steel bullet feet.
- **Accessories:** To add a locking cover, add the suffix **-LC** to the model number. (See pricelist for additional charge)



Supreme Metal

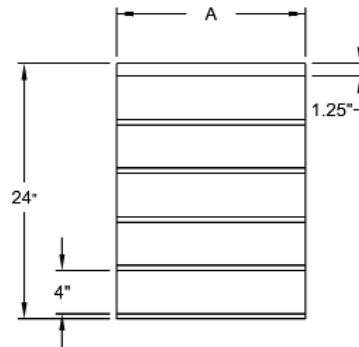
Toll Free: 800-645-2526

Fax: 770-740-6010

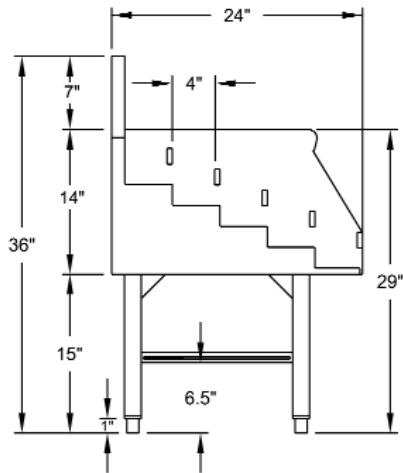
www.suprememetal.com

Prestige 19 Series

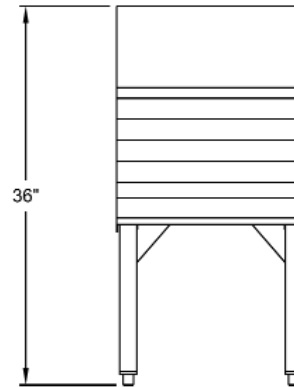
Plan View



Sectional



Elevation



Model Number	Overall Length (A)	Approx. Bottle Capacity	Packaged Weight	Cubic Feet
PRLR-19-12	12"	15	25 Lbs.	4
PRLR-19-18	18"	20	30 Lbs.	6
PRLR-19-24	24"	30	35 Lbs.	8
PRLR-19-30	30"	35	40 Lbs.	10
PRLR-19-36	36"	45	50 Lbs.	12

SupremeMetal is constantly engaged in a program of improving their products. We reserve the right to change our specifications without prior notice.