



HIGH VOLUME PORTABLE BAR WITH STAINLESS STEEL WORK AREA (TOP, BACK & SIDES)



Item #: _____ Qty #: _____

Model #: _____

Project #: _____

**Designed For Heavy-Duty Use. Perfect for
High Volume or Dual Operation!**

**Custom Colors Available!
(Exterior Only. See below for details)**

FEATURES:

Corrugated Stainless Steel Work Top, Back and Sides
Two 19" x 13-1/2" x 11" insulated ice bin. Complete with drain & shut-off valve

R-8-7 MODEL:

Two 19" x 13-1/2" x 11" insulated ice bin with 7 Circuit Post Mix Cold Plate. Includes Stainless Steel bottom, complete with drain & shut-off valve

NOTE: Ice Bins are located at each end. If a cold plate unit is required, it will be installed in the right ice bin

Dual speed rails to hold up to 10 bottles of liquor

Two Towel Rings

Open bottom shelf for glass rack storage

4 - 6" Heavy Duty Swivel Casters, 2 with brakes

MATERIAL:

CONSTRUCTION: Mica Laminate, black finish
Stainless steel bottom

WORK AREA: Stainless Steel top, back and sides

CASTERS: Rubber

SPEED RAILS: Stainless Steel

| Model # | Size L x W x H | Bar Top Width | Cubic Feet | Weight |
|---------|----------------------|---------------|------------|--------|
| R-8-B | 95.75" x 24.5" x 47" | 12" | 117 | 700 |
| R-8-B-7 | 95.75" x 24.5" x 47" | 12" | 117 | 750 |

Available Accessories

Upgrade to Stainless Steel Speed Rails (Set of 2) - **Model BK-2**

Upgrade to Double Tier Stainless Steel Speed Rails (Set of 2) - **Model DT-2**

Three Sided Continuous Bumper - **Model A-73**

Custom Mica Colors - **Model A-74**

(Custom colors include exterior finishes only (Bar front and sides. Additional charge for bar top).

All interiors are standard black finish)



Customer Service Available To Assist You 1-800-645-3166 8:30 am - 8:00 pm E.S.T.

For Orders & Customer Service:

Email: customer@advancetabco.com or Fax: 631-242-6900

For Smart Fabrication™ Quotes:

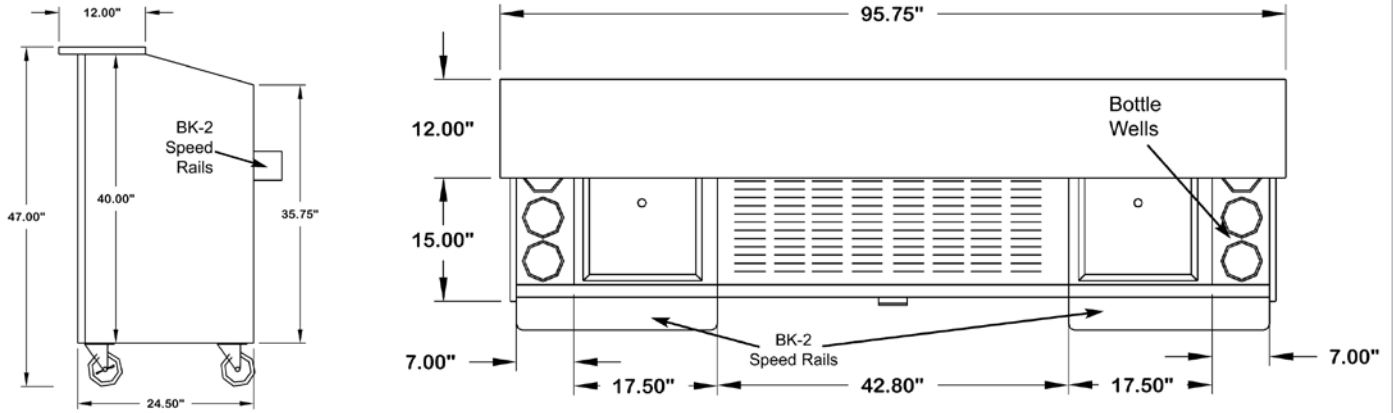
Email: smartfab@advancetabco.com or Fax: 631-586-2933

DIMENSIONS and SPECIFICATIONS

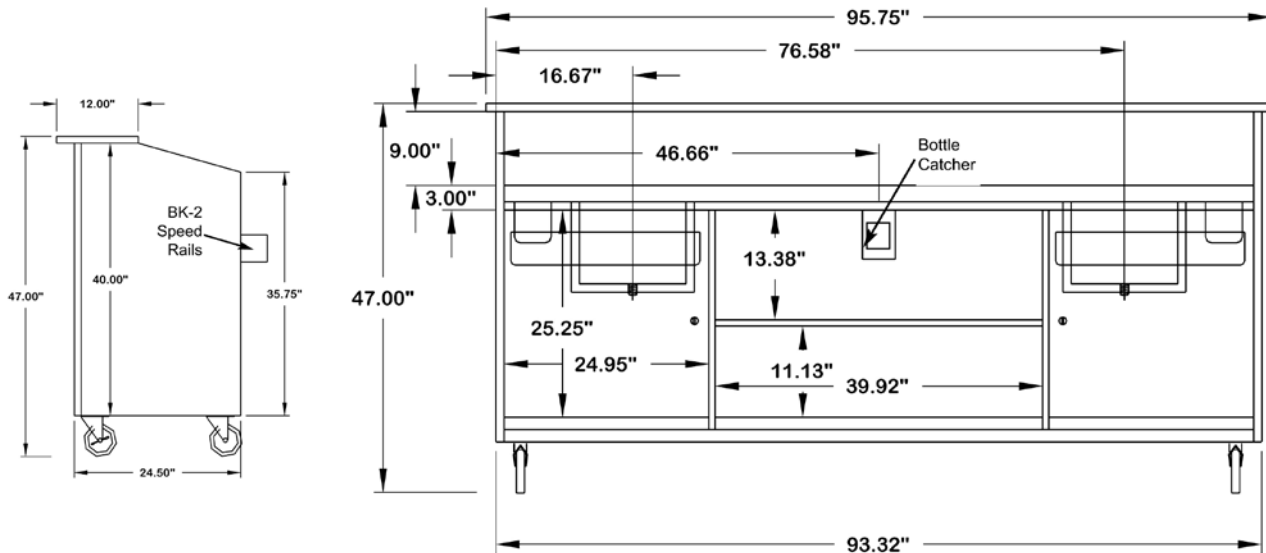
TOL ± .125"

ALL DIMENSIONS ARE TYPICAL

R-8-B SERIES



R-8-B-7 SERIES WITH 7 CIRCUIT COLD PLATE



ADVANCE TABCO is constantly engaged in a program of improving our products. Therefore, we reserve the right to change specifications without prior notice.