

# Underbar Hand Sink w/ Soap/Towel Dispensers 21" Wide Units - Deep Drawn Bowl



SC-15-TS



SC-15-TS-S

Item #: \_\_\_\_\_ Qty #: \_\_\_\_\_

Model #: \_\_\_\_\_

Project #: \_\_\_\_\_

Featuring **Deep Drawn**  
**Seamless Bowl**



**FEATURES:**

- Free standing unit.
- One piece **Deep Drawn** sink bowl measuring 9 1/2" x 11 1/2" x 6".
- Built-in deck mount soap dispenser and c-fold towel dispenser.
- 6" deck mounted faucet.
- 4" backsplash.
- Galvanized legs with adjustable plastic bullet feet.
- Adjustable galvanized side cross-bracing.
- Has rear deck for extra storage.
- TS-S models** include 4" high side splashes.

**MECHANICAL:**

- K-51 deck mount swing spout faucet
- Faucet meets federal lead free standards.**
- 1 1/2" IPS drain with 3 1/2" basket

**MATERIAL:**

- Sink Bowl & Sides:** 20 gauge, 300 stainless steel
- Front Apron, Door, Backsplash:** 22 gauge, 300 stainless steel
- Optional Side Splash:** 16 gauge, 300 stainless steel
- Legs:** 1 5/8" O.D. 18 gauge, galvanized steel with adjustable plastic bullet feet

**OPTIONAL:**

- A-15** - Chrome towel ring (packed loose)
- K-12** - Replacement deck mount soap dispenser
- K-316-LU** - Add wrist handles
- SU-10C** - 14" stainless steel leg upgrade with cross-bracing

**Standard**

Model #	O.A. Length (A)	Approx. Weight	Approx. Cu. Ft.
SC-12-TS	12"	45 lbs.	4
SC-15-TS	15"	49 lbs.	4

**w/ Side Splashes**

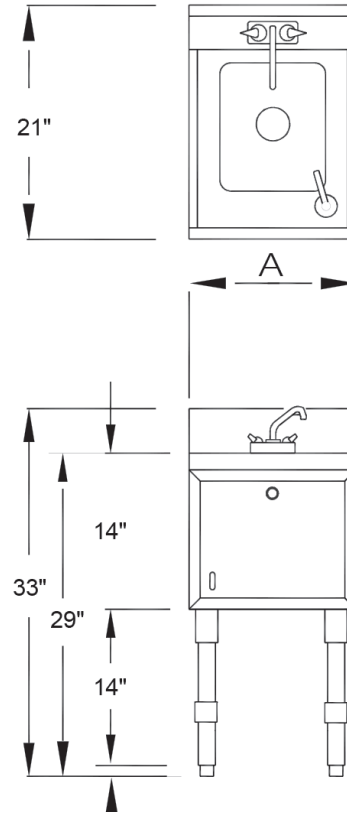
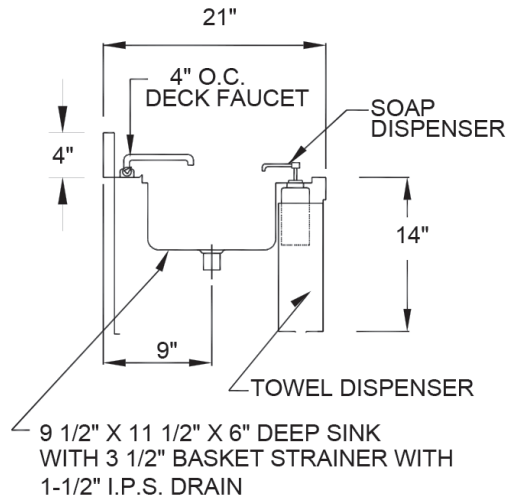
Model #	O.A. Length (A)	Approx. Weight	Approx. Cu. Ft.
SC-12-TS-S	12"	50 lbs.	4
SC-15-TS-S	15"	54 lbs.	4

# DIMENSIONS and SPECIFICATIONS

TOL Overall: ± .500" Interior: ± .250"

ALL DIMENSIONS ARE TYPICAL

## -TS Models



## -TS-S Models

