



STAINLESS STEEL DOUBLE SIDED SELF-SERVE BUFFET SHELF With Built-in Food Shield

Item #: _____ Qty #: _____

Model #: _____

Project #: _____



MODEL	Length (L)		Wt.	Cubic Feet
TBS-2	32"	Fits 2-Well Unit	34 lbs.	2
TBS-3	47-3/8"	Fits 3-Well Unit	42 lbs.	3
TBS-4	62-5/8"	Fits 4-Well Unit	47 lbs.	4
TBS-5	78"	Fits 5-Well Unit	55 lbs.	4
TBS-6	93-1/8"	Fits 6-Well Unit	63 lbs.	4

FEATURES:

- 19-1/4" high.
- Built-in double sided acrylic food shields.
- Food shields have 10" clearance from deck.
- Removable stainless steel top shelf.
- Optional acrylic side panels available to further meet additional NSF requirements (2 panels per end). Field installation available.



Acrylic Side Panels for Buffet Shelf

Add side panels to meet additional NSF requirements (2 panels per end)

- TBP-1 One End
- TBP-2 Two Ends

Field Installation Available

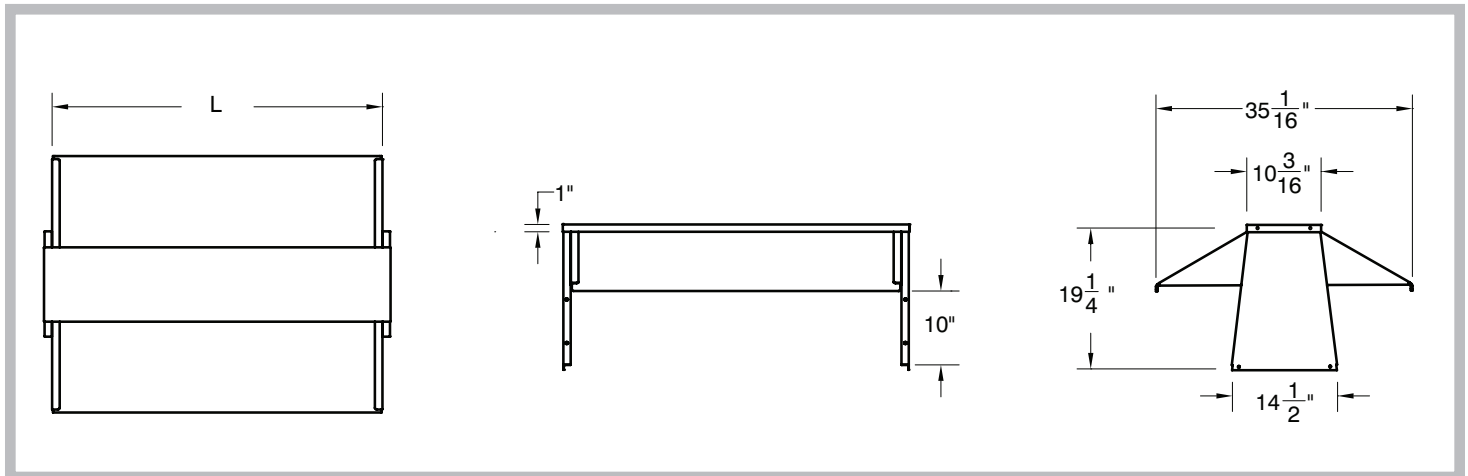
MATERIAL:

- Shelf: stainless steel
- Food Shields: acrylic

DETAILS and SPECIFICATIONS

TOL Overall: ± .500" Interior: ± .250"

ALL DIMENSIONS ARE TYPICAL



Customer Service Available To Assist You **1-800-645-3166** 8:30 am - 8:00 pm E.S.T.

For Orders & Customer Service:

Email: customer@advancetabco.com or Fax: 631-242-6900

For Smart Fabrication™ Quotes:

Email: smartfab@advancetabco.com or Fax: 631-586-2933