



# STAINLESS STEEL 10" WIDE FOOD TABLE TUBULAR TRAY SHELVES Stationary & Drop-Down



Item #: _____	Qty #: _____
Model #: _____	
Project #: _____	

**FEATURES:**

Mounts to hot and cold food tables.  
Tubular tray design.  
**Stationary Tray Shelves** include fixed brackets.  
**Drop-down Tray Shelves** include drop-down brackets.

**MATERIALS:**

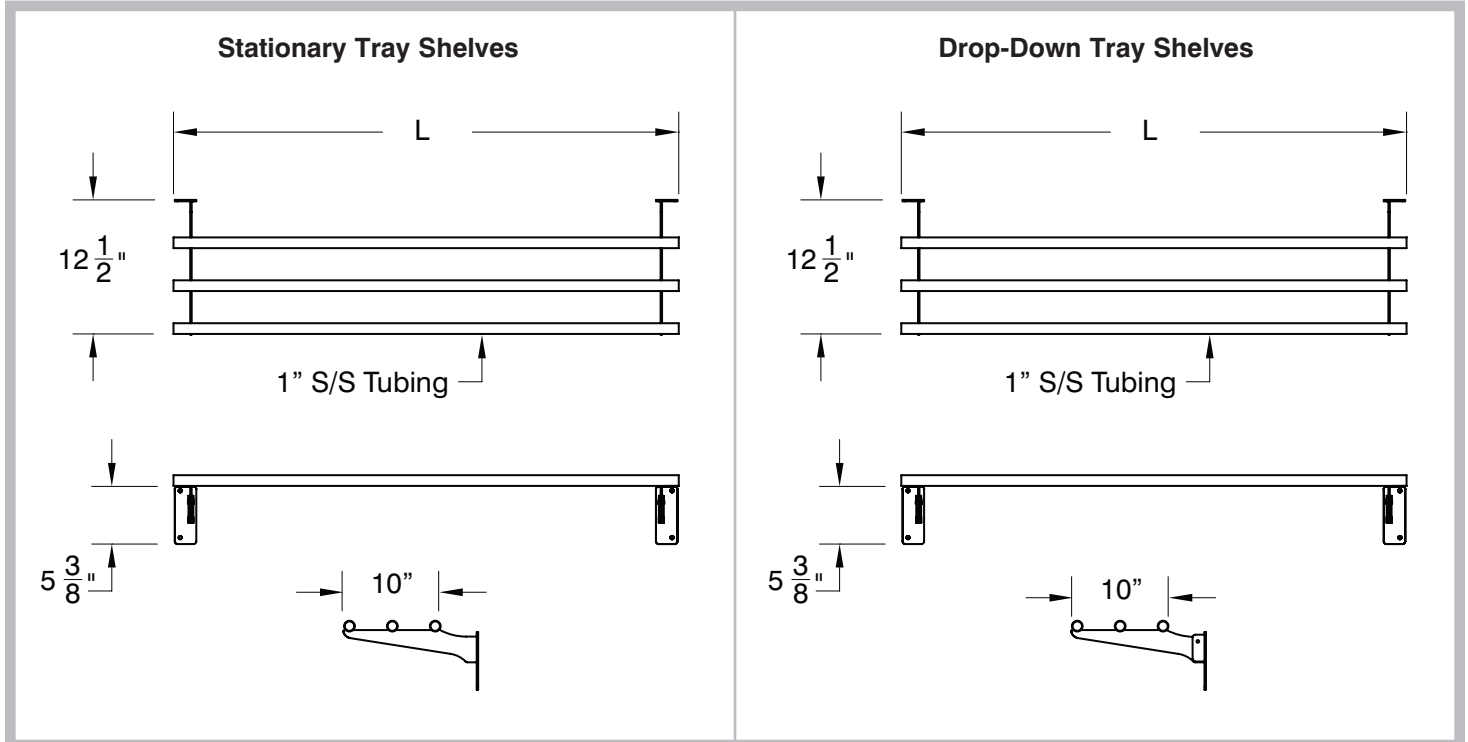
**Shelf:** 1" Stainless steel tubing  
**Brackets:** 10 gauge stainless steel

STATIONARY		DROP-DOWN		Length (L)	Cubic Feet
MODEL	Weight	MODEL	Weight		
TTR-2	8 lbs.	TTR-2D	9 lbs.	31-13/16"	1
TTR-3	10 lbs.	TTR-3D	11 lbs.	47-1/8"	1
TTR-4	13 lbs.	TTR-4D	14 lbs.	62-3/8"	2
TTR-5	17 lbs.	TTR-5D	18 lbs.	77-3/4"	2
TTR-6	22 lbs.	TTR-6D	23 lbs.	93-1/8"	2

## DETAILS and SPECIFICATIONS

TOL Overall: ± .500" Interior: ± .250"

ALL DIMENSIONS ARE TYPICAL



**Customer Service Available To Assist You 1-800-645-3166 8:30 am - 8:00 pm E.S.T.**

For Orders & Customer Service:  
Email: [customer@advancetabco.com](mailto:customer@advancetabco.com) or Fax: 631-242-6900

For Smart Fabrication™ Quotes:  
Email: [smartfab@advancetabco.com](mailto:smartfab@advancetabco.com) or Fax: 631-586-2933