



STAINLESS STEEL WETBATH TABLES WITH ENCLOSED BASE



| | | | |
|------------|-------|--------|-------|
| Item #: | _____ | Qty #: | _____ |
| Model #: | _____ | | |
| Project #: | _____ | | |

WB-5G-NAT-BS Shown

FEATURES:

- 15,000 BTU'S / 2 and 3 compartments
- 25,000 BTU'S / 4 and 5 compartments
- Single control knob with 3 settings
- Pilot indicator openings
- Dish shelf of stainless steel
- Stainless steel undershelf
- Stainless steel supporting dish shelf with removable 3/8" thick poly cutting board - Ships K.D.

Wet Gas units are perfect for prepared food. It maintains food temperature with hot steam. Add 1-2" of water to the wet bath unit to achieve the correct amount of hot moisture.

MATERIAL:

- TOP:** 20 gauge #302 stainless steel with die stamped pan openings. (11.875" x 20.062")
- BODY:** 22 gauge #430 stainless steel
- LEGS:** 18 gauge, #302 stainless steel with fully adjustable stainless steel bullet foot
- LINERS:** 8" deep, 22 Gauge, #302 stainless steel
- CUTTING BOARD:** White Thermoplastic
- CUTTING BOARD BRACKETS:** 16 gauge, #302 stainless steel
- PLATE SHELF:** 18 gauge, #302 stainless steel

GAS:

- Available for Natural or Bottled Gas
- 1/2" female NPT connection to regulator
- Infinite Control knobs
- Indicator lights
- Note:** External pressure regulator is required. 4" WC pressure in for Natural Gas and 10" WC pressure in for LP

| Model # | Gas Type | Length | Width* | # of Wells | Approx. Weight | Approx. Cu. Ft. |
|--------------|-------------|---------------|---------|------------|----------------|-----------------|
| WB-2G-NAT-BS | NATURAL GAS | A = 31-13/16" | 22.625" | 2 | 145 lbs. | 28 |
| WB-3G-NAT-BS | NATURAL GAS | B = 47-1/8" | 22.625" | 3 | 175 lbs. | 41 |
| WB-4G-NAT-BS | NATURAL GAS | C = 62-7/16" | 22.625" | 4 | 225 lbs. | 55 |
| WB-5G-NAT-BS | NATURAL GAS | D = 77-3/4" | 22.625" | 5 | 296 lbs. | 67 |
| WB-2G-LP-BS | BOTTLED GAS | A = 31-13/16" | 22.625" | 2 | 145 lbs. | 28 |
| WB-3G-LP-BS | BOTTLED GAS | B = 47-1/8" | 22.625" | 3 | 175 lbs. | 41 |
| WB-4G-LP-BS | BOTTLED GAS | C = 62-7/16" | 22.625" | 4 | 225 lbs. | 55 |
| WB-5G-LP-BS | BOTTLED GAS | D = 77-3/4" | 22.625" | 5 | 296 lbs. | 67 |

NOTE: Units are not designed to cook or heat frozen or refrigerated foods. Food placed in tables should already be hot, and the table will maintain the proper temperatures

Food Table Accessories

Visit our website for additional Food Table Accessories



SU-P-101- Gas Valve

SU-25S Add Casters to Food Units with Undershelf
(Includes 4 -5" Swivel Casters, 2 w/ Brakes)

SU-P-101 Gas Valve

SU-P-105 Jet Burner for Natural Gas Unit (NAT 5/16 #61)

SU-P-106 Jet Burner for Natural Gas Unit (NAT 5/16 #74)

SU-P-108 Gas Pilot Valve



SU-P-108- Gas Pilot Valve



Customer Service Available To Assist You 1-800-645-3166 8:30 am - 8:00 pm E.S.T.

For Orders & Customer Service:

Email: customer@advancetabco.com or Fax: 631-242-6900

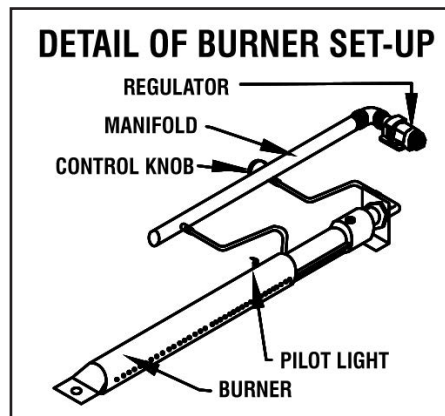
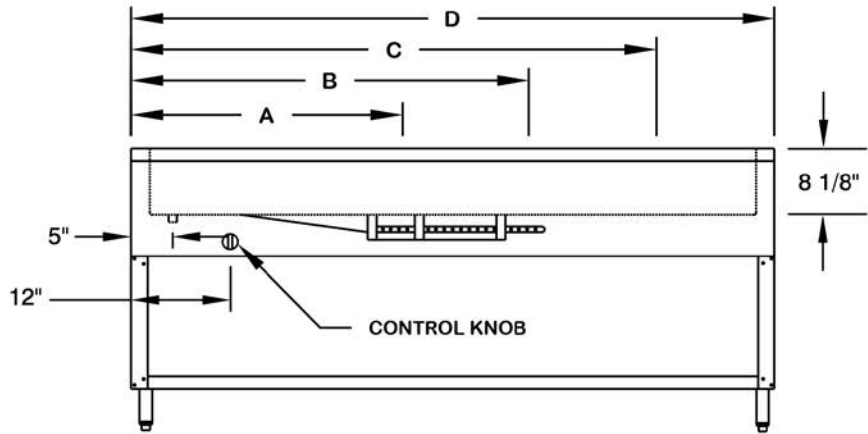
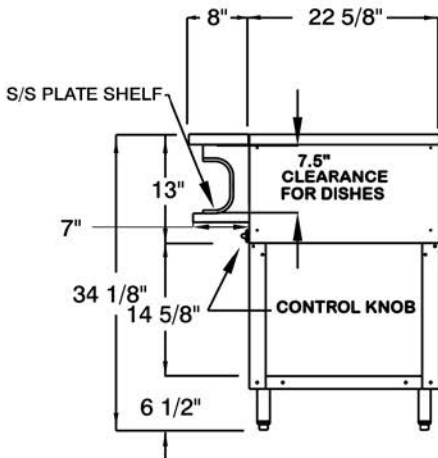
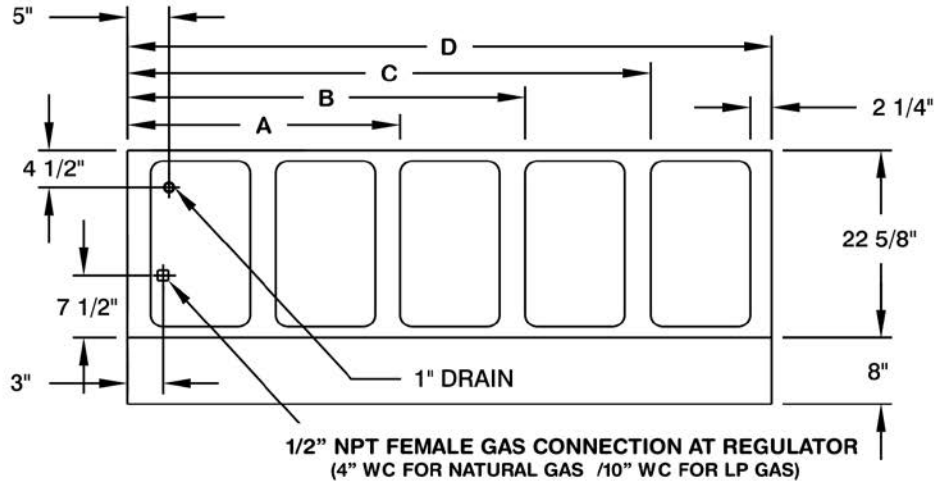
For Smart Fabrication™ Quotes:

Email: smartfab@advancetabco.com or Fax: 631-586-2933

DIMENSIONS and SPECIFICATIONS

TOL ± .125"

ALL DIMENSIONS ARE TYPICAL



ADVANCE TABCO is constantly engaged in a program of improving our products. Therefore, we reserve the right to change specifications without prior notice.