

**BIM24**

24.5" x 14.75" x 17.75" (H x W x D)

Compact icemaker with manual defrost for undercounter use

**Highlights:**

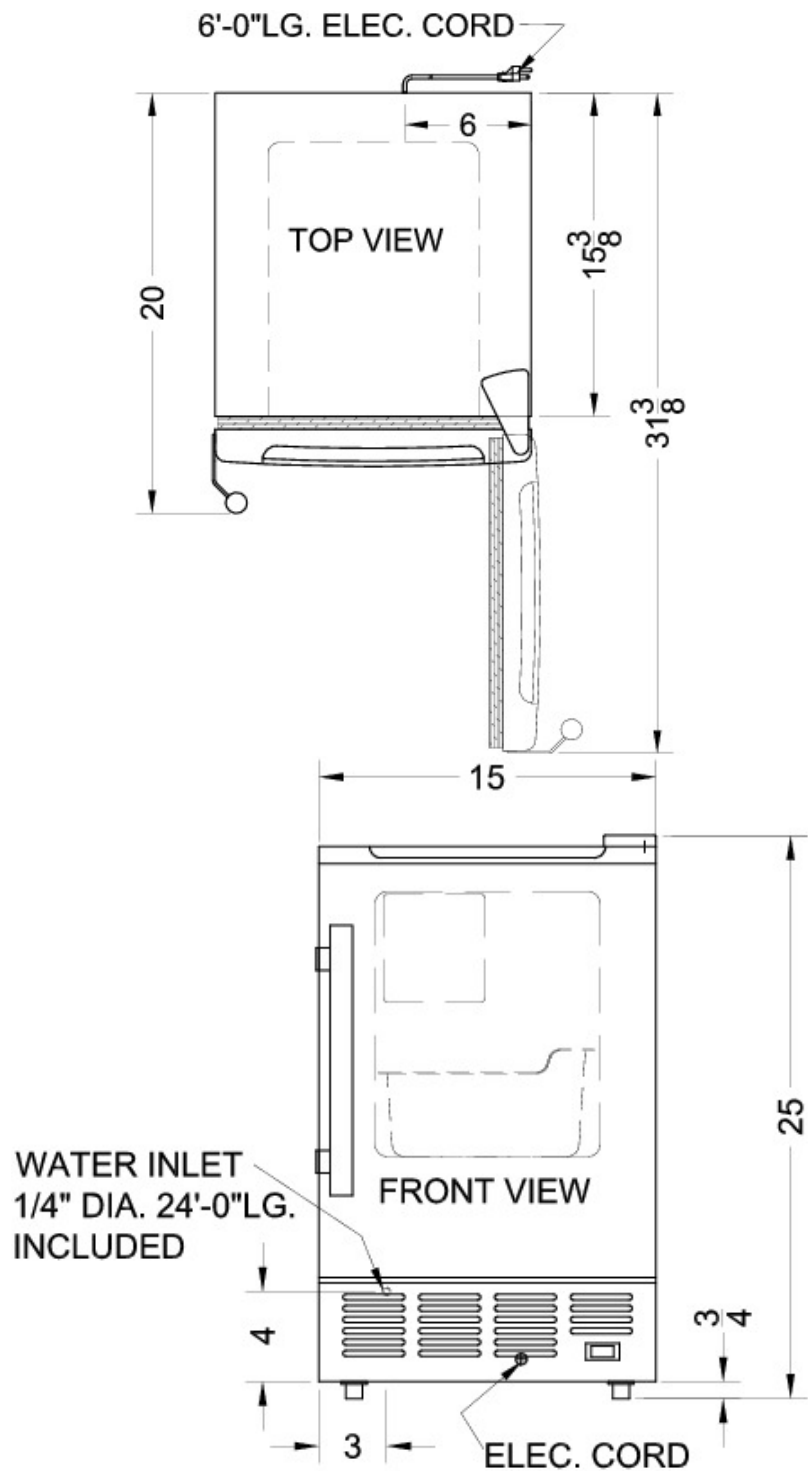
- Compact size for easy placement
- Flexible design allows built-in or freestanding use
- Professional exterior for modern look
- Produces up to 24 lbs. of crescent-shaped ice in a day cycle



Reversible door	Keep your options flexible with a reversible door that's easy to switch when your arrangement changes
Manual defrost	Requires defrosting when ice gets too thick
Professional handle	Reversible chrome handle
Built-in capable	Make the best use of space by installing your icemaker under the counter and flush with other cabinets
Fully finished cabinet	Allows the icemaker to be used freestanding
Insulated storage bin	Ice stays solid in this cold-protected bin
100% CFC free	Environmentally friendly design without ozone-damaging chemicals

## Specifications:

Height	24.5"
Width	14.75"
Depth	17.75"
Capacity	1.0 cu.ft.
Interior Height 1	11.75"
Interior Width 1	10.0"
Interior Depth 1	13.0"
Shipping Weight	95.0 lbs.
Weight	66.0 lbs.
Amps	1.0
US Electrical Safety	UL
Voltage/Frequency	115 V AC/60 Hz
Reversible	Yes
Door Swing	RHD
Adjustable Shelf	true
Defrost Type	Manual
Depth with door at 90°	31.38"
Height to Hinge Cap	25.0"
Condensor Location	Rear of Unit
Thermostat Type	Dial
Freon Type	R134a
Level Legs Quantity	2
Freon Oz	2.4
Parts/Labor Warranty	1 Year
Compressor Warranty	5 Years



Summit Appliances Division, Felix Storch, Inc.  
 770 Garrison Ave • Bronx, NY 10474  
 Phone: 718-893-3900 • Fax: 718-842-3093  
 Email: [info@summitappliance.com](mailto:info@summitappliance.com)