

BIM44

33.5" x 14.75" x 23.5" (H x W x D)

15" wide built-in undercounter NSF-listed icemaker with automatic defrost

Highlights:

Flexible design allows built-in or freestanding use

Automatic defrost saves on user maintenance

Slim 15" width fits any tight spot

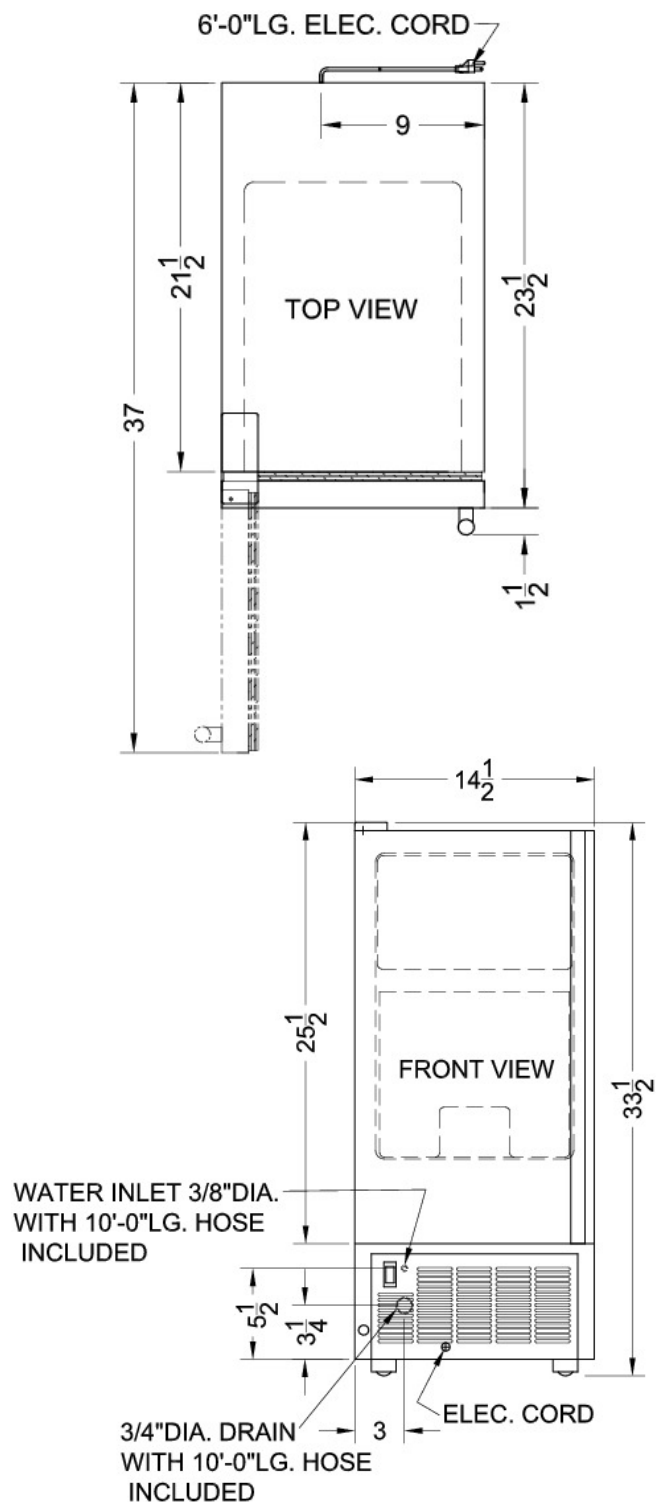
Stainless steel door includes professional towel bar handle



Reversible door	Keep your options flexible with a reversible door that is easy to switch when your arrangement changes; Unit ships LHD but can be reversed in our factory or by the user
Commercially approved	NSF listed for use in commercial establishments
Automatic defrost	Reduced maintenance with auto defrost system
Built-in capable	Make the best use of space by installing your icemaker under the counter and flush with other cabinets
Stainless steel door	Professional styling with lasting durability
Professional towel bar handle	A curved handle in brushed stainless steel offers an easy grip
Fully finished black cabinet	Allows the icemaker to be used as a freestanding model
Insulated storage bin	Ice stays solid longer in this cold-protected bin
100% CFC free	Environmentally friendly design without ozone-damaging chemicals
Ice scoop	Included for your convenience

Specifications:

Height	33.5"
Width	14.75"
Depth	23.5"
Ext Depth with Handle	25.0"
Interior Height 1	18.5"
Interior Width 1	12.0"
Interior Depth 1	16.0"
Shipping Weight	115.0 lbs.
Voltage/Frequency	115 V AC/60 Hz
Canadian Electrical Safety	ULC
Amps	4.8
US Electrical Safety	UL
Reversible	Yes
Door Swing	LHD
Defrost Type	Automatic
Height to Hinge Cap	33.5"
Depth with door at 90°	37.0"
Thermostat Type	Dial
Freon Type	R134a
Level Legs Quantity	4
High Side PSI	350.0
Low Side PSI	120.0
Freon Oz	6.35
Compressor Warranty	5 Years
Parts/Labor Warranty	1 Year
Sanitation	NSF



Summit Appliance Division, Felix Storch, Inc.
 770 Garrison Ave • Bronx, NY 10474
 Phone: 718-893-3900 • Fax: 718-842-3093
 Email: info@summitappliance.com