

CC48

33.75" x 21.0" x 21.0" (H x W x D)

Commercially approved round beverage cooler with "blue" ice bank for 8 hours of electricity-free cooling

Highlights:

- Commercially approved and CalCode compliant
- Ice pack inside walls keeps beverages cold for up to 8 hours without ice or electricity
- Designed and built in Denmark for SUMMIT
- Accepts custom logo labels for personalized design

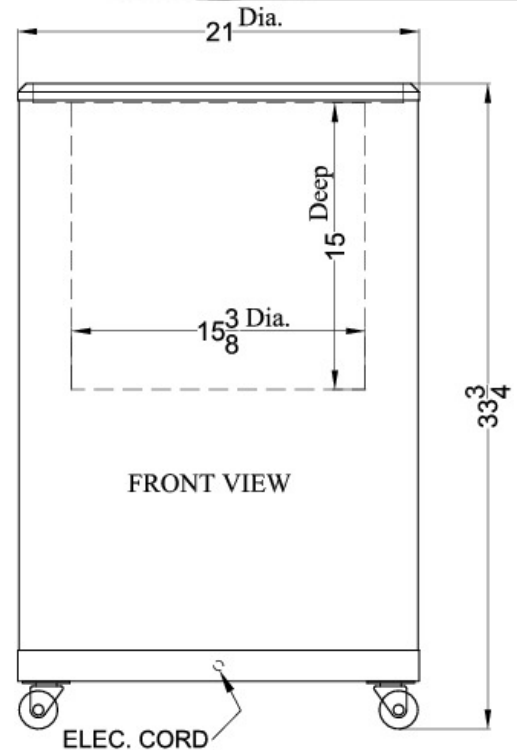
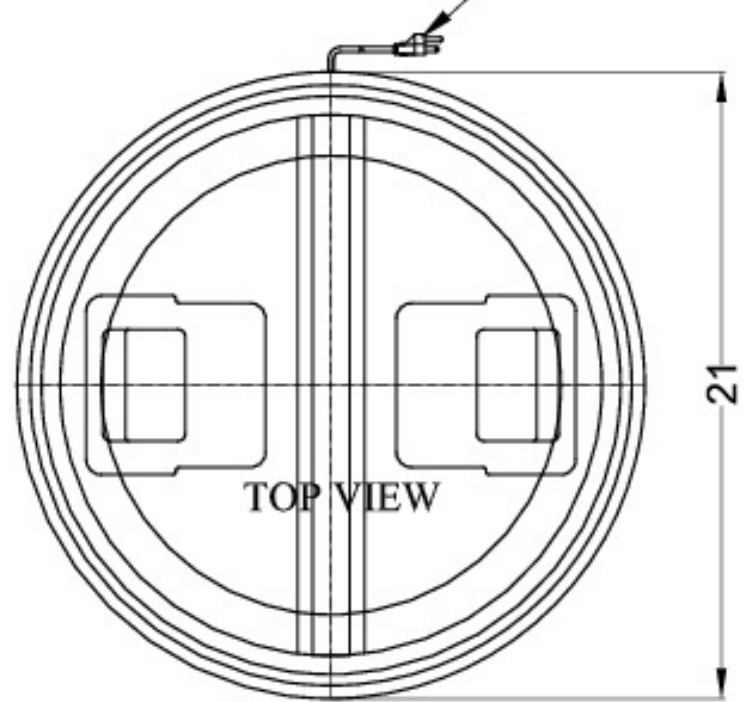


Commercially approved	ETL-S listed to NSF-7 for use in foodservice establishments
Customizable cabinet	Exterior accepts custom labels
Caster wheels	Sturdy casters add easy mobility
Ice bank inside wall	Unit will remain cold for up to 8 hours without being plugged in or filled with ice
100% CFC Free	Environmentally friendly design with no ozone-damaging chemicals

Specifications:

Height	33.75"
Width	21.0"
Depth	21.0"
Capacity	1.5 cu.ft.
Interior Height 1	15.0"
Interior Width 1	15.38"
Interior Depth 1	15.38"
Shipping Weight	105.0 lbs.
Weight	100.0 lbs.
Voltage/Frequency	115 V AC/60 Hz
US Electrical Safety	UL
Canadian Electrical Safety	ULC
Energy Usage/Year	157.0 kWh/year
Amps	2.9
Door Swing	Lift-up
Wheel Quantity	4
Defrost Type	Manual
Thermostat Type	Dial
Freon Type	R134a
Freon Oz	5.5
Compressor Warranty	5 Years
Parts/Labor Warranty	1 Year
Sanitation	ETL-S

7'-0" LG. ELEC. CORD



Summit Appliance Division, Felix Storch, Inc.
 770 Garrison Ave • Bronx, NY 10474
 Phone: 718-893-3900 • Fax: 718-842-3093
 Email: info@summitappliance.com