

CP36BK

33.5" x 18.75" x 19.63" (H x W x D)

Compact two-door refrigerator-freezer in 19 inch width and black exterior; replaces CP36B

Highlights:

Slim width under 20 inches

Two-door design and dual evaporator cooling for improved performance with energy efficiency

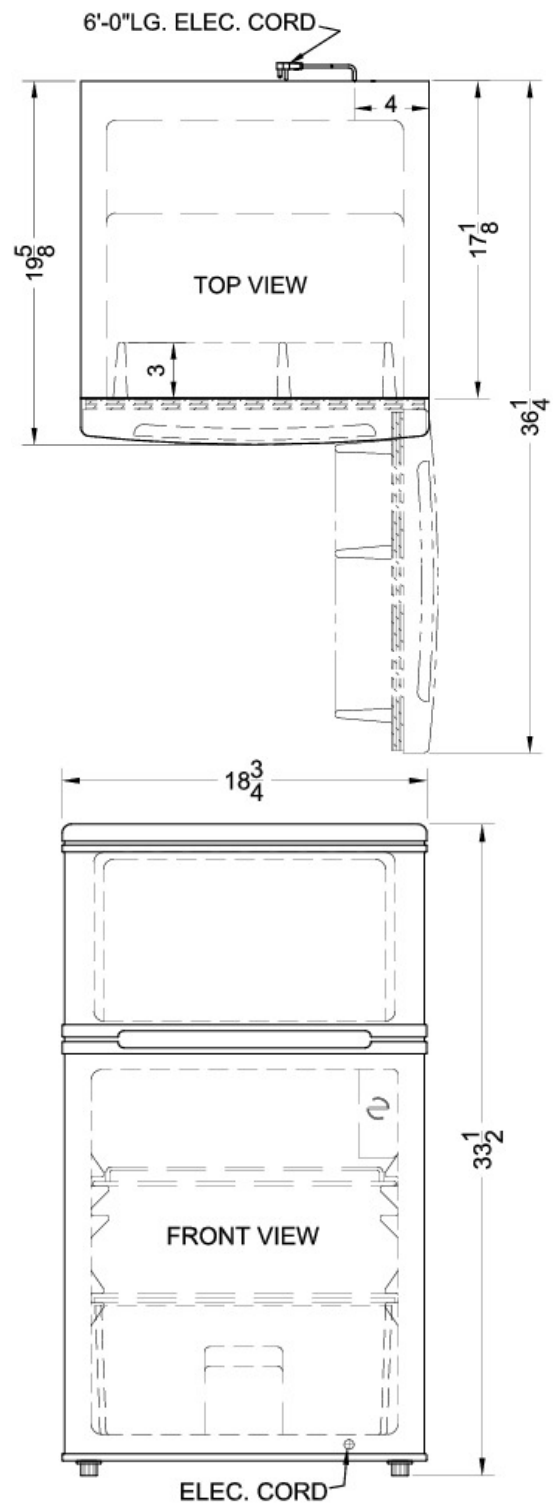
Jet black exterior finish on cabinet and reversible doors



Thin-line width	Limited space is no problem for our thin-line models, designed for easy placement in tight settings
Fully finished black cabinet	Allows the unit to be used freestanding
Two-door design	Separate sections for refrigerator and freezer
Cycle defrost	Combines an automatic defrost refrigerator with a manual defrost freezer to save unit energy and user maintenance
Dual evaporator cooling	SUMMIT's unique and efficient dual evaporator separately cools the refrigerator while maintaining zero degrees in the freezer
Zero degree freezer	Keep ice cream frozen and freezer burn-free in a freezer that reaches and maintains zero degrees
Reversible doors	Keep placement options flexible with a reversible door swing that is easy to switch when your arrangement changes
Adjustable shelf	Includes one wire shelf with multiple glides for to accommodate different sizes
Crisper drawer	Get the longest life and best taste out of produce by storing greens in lower slide drawer
Door shelves	Store large bottles right on the door for easy access

Specifications:

Height	33.5"
Width	18.75"
Depth	19.63"
Capacity	3.1 cu.ft.
Interior Height 1	18.75"
Interior Width 1	15.75"
Interior Depth 1	15.0"
Interior Height 2	7.25"
Interior Width 2	14.18"
Interior Depth 2	15.0"
Comp Step Height	7.25"
Comp Step Width	15.75"
Comp Step Depth	5.0"
Shipping Weight	103.0 lbs.
Weight	80.0 lbs.
Voltage/Frequency	115 V AC/60 Hz
Energy Usage/Year	337.0 kWh/year
Canadian Electrical Safety	ULC
US Electrical Safety	UL
Reversible	Yes
Door Swing	RHD
Crisper Quantity	1
Shelf Quantity	1
Adjustable Shelf	true
Shelf Type	Wire
Crisper Cover Type	Glass
Crisper Finish	Transparent
Full Door Shelf Quantity	1
Half Door Shelf Quantity	1
Can Storage	true
Defrost Type	Cycle
Depth with door at 90°	36.25"
Light	true
Thermostat Type	Dial
Freon Type	R134a
Freon Oz	2.36
Parts/Labor Warranty	1 Year
Compressor Warranty	5 Years



Summit Appliance Division, Felix Storch, Inc.
 770 Garrison Ave • Bronx, NY 10474
 Phone: 718-893-3900 • Fax: 718-842-3093
 Email: info@summitappliance.com