



FF63BBIDTPUBADA



32" x 23.63" x 23" (H x W x D)

Built-in undercounter ADA compliant craft beer Pub Cellar in black with digital thermostat and deluxe interior

Highlights:

Perfect for storing or aging craft beer for long-term use

Digital thermostat lets you manage the temperature from 41° to 65°F to best accommodate beer

Flexible design allows built-in or freestanding use in 24" spaces

32" height for use under lower ADA compliant counters

Product Features:

ADA compliant	32" height to fit under lower ADA compliant counters
Slim undercounter dimensions	Ideal 24" footprint offers full 5.5 cu.ft. storage capacity in a slim fit
Built-in capable	Make the best use of space by installing your appliance under the counter and flush with other cabinets
Automatic defrost	Reduced maintenance with auto defrost system
Designed for craft beer storage	Wide range temperature control lets you manage the interior between 41° and 65°F for optimum storage of all types of beer
Digital thermostat	Exterior thermostat located in kickplate lets you manage the temperature without opening the door
Adjustable glass shelves	Rearrange the refrigerator space to accommodate all shapes and sizes or remove shelves for a simple clean-up
Door shelves	Store tall bottles and condiments right on the door for convenient access
Scalloped bottle shelf	Removable scalloped shelf is included to hold larger bottles in a horizontal configuration



SUMMIT APPLIANCE DIVISION FELIX STORCH, INC.

770 Garrison Avenue, Bronx, NY 10474 USA TEL 718-893-3900 FAX 844-478-8799

info@summitappliance.com



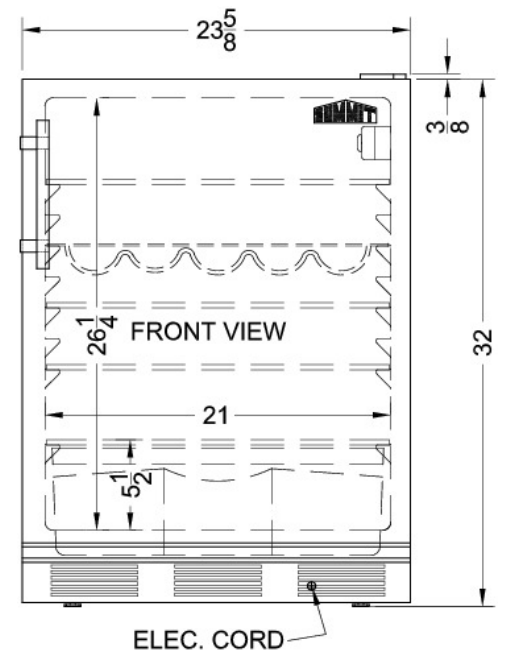
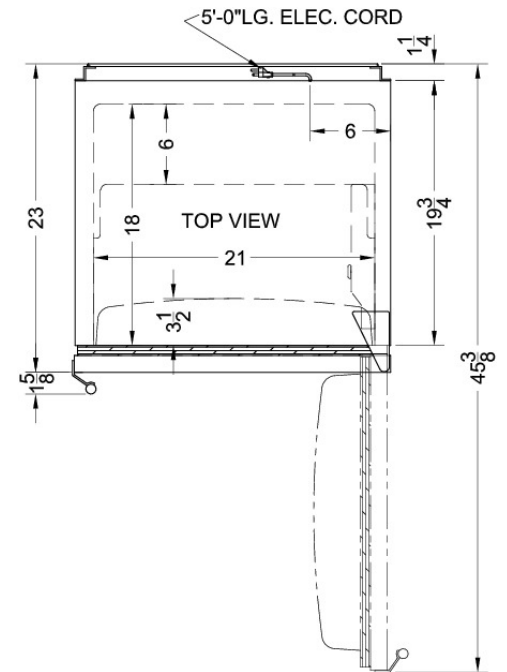
www.summitappliance.com



FF63BBIDTPUBADA Specifications:

Overview	
Height	32.0"
Height to Hinge Cap	32.25"
Width	23.63"
Depth	23.0"
Depth with Handle	24.63"
Depth with door at 90°	45.38"
Capacity	5.5 cu.ft.
Defrost Type	Automatic
Door	Black
Cabinet	Black
US Electrical Safety	UL
Canadian Electrical Safety	ULC
Energy Usage/Year	307.0kWh/year
Amps	1.0
Shipping Weight	104.0 lbs.
Parts & Labor Warranty	1 Year
Compressor Warranty	5 Years
Wine Cellar	
Number of Zones	1
Door Swing	RHD
Reversible	Yes
Adjustable Shelves	Yes
Shelf Type	Glass and Scalloped
Shelf Qty	3
Thermostat Type	Digital
Interior Light	Yes
Fan Type	Exterior
Refrigerant Type	R134a
Refrigerant Amount	1.7 oz.
High Side PSI	285.0
Low Side PSI	70.0
Interior Height 1	26.25"
Interior Width 1	21.0"
Interior Depth 1	18.0"
Compressor Step Height	5.5"

Compressor Step Width	21.0"
Compressor Step Depth	6.0"
Level Legs	4
Temperature Range	41° to 65°F



SUMMIT APPLIANCE DIVISION FELIX STORCH, INC.

770 Garrison Avenue, Bronx, NY 10474 USA TEL 718-893-3900 FAX 844-478-8799 info@summitappliance.com www.summitappliance.com