

FFAR24LPLUS

19.75" x 17.75" x 17.63" (H x W x D)

Compact auto defrost all-refrigerator with lock, internal fan and traceable thermometer; Replaces FFAR22LWPLUS

Highlights:

Compact size is ideal for countertop use

Factory installed lock provides security you can count on

Traceable thermometer provides external readout of current and high/low temperature

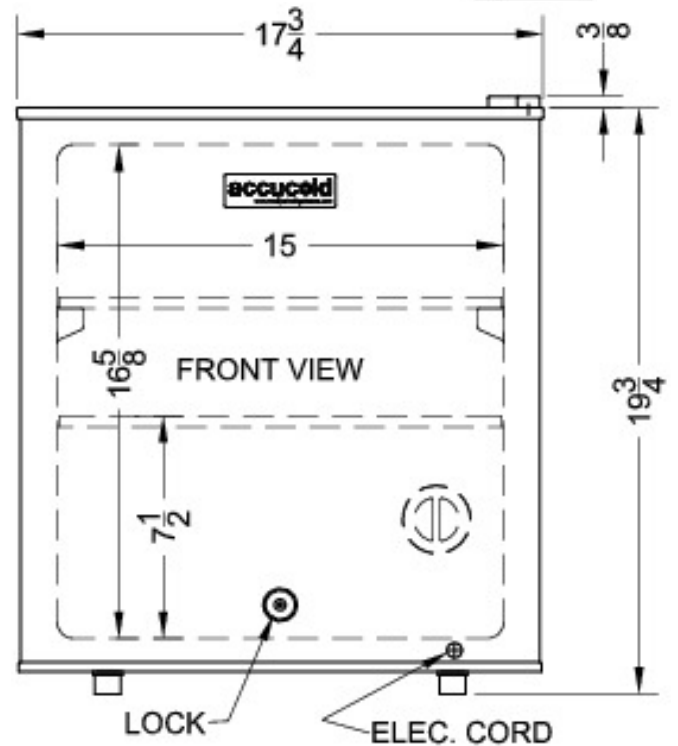
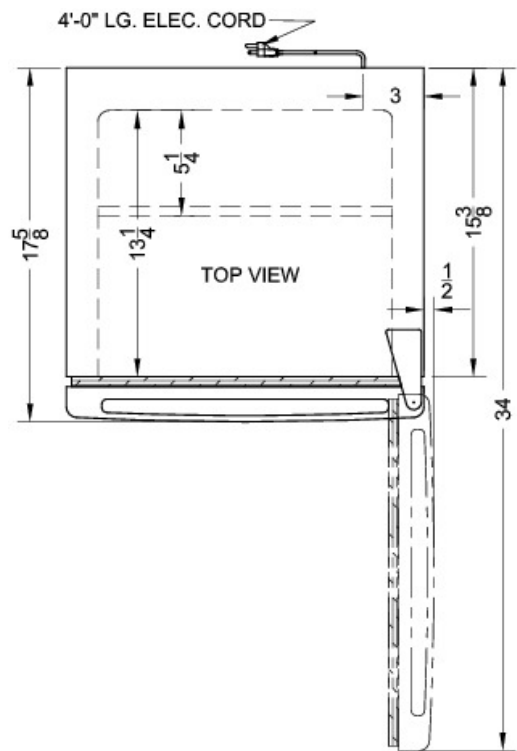
Internal fan complete with gel packs for a more stabilized interior



Compact dimensions	Ideal size for use on top of counters
Automatic defrost	Reduced maintenance with auto defrost system
Factory installed lock	Keyed lock for secure interior
NIST calibrated thermometer	Thermometer provides external readout of current and high/low temperatures to the nearest tenth of a degree
Flat door liner	Interior design meets CDC guidelines for sensitive storage
Internal fan with gel packs	Fan-forced cooling helps the unit stay evenly cooled from top to bottom
Removable shelves	Includes two wire shelves for easier storage
Adjustable thermostat	Dial thermostat located inside for easy temperature management
Access port	Unit comes with a factory installed probe hole for users to connect their own monitoring equipment
100% CFC Free	Environmentally friendly design with no ozone-damaging chemicals

Specifications:

Height	19.75"
Width	17.75"
Depth	17.63"
Capacity	1.7 cu.ft.
Interior Height 1	16.63"
Interior Width 1	15.0"
Interior Depth 1	13.25"
Comp Step Height	7.5"
Comp Step Width	15.0"
Comp Step Depth	5.25"
Shipping Weight	55.0 lbs.
Weight	35.0 lbs.
Canadian Electrical Safety	ETL-C
Amps	0.8
Voltage/Frequency	115 V AC/60 Hz
US Electrical Safety	ETL
Reversible	Factory Reversible
Door Swing	RHD
Shelf Quantity	2
Shelf Type	Wire
Defrost Type	Automatic
Depth with door at 90°	34.0"
Height to Hinge Cap	20.13"
Fan Type	Interior
Condensor Location	N/A
Thermostat Type	Dial
Freon Oz	1.13
Level Legs Quantity	2
High Side PSI	175.0
Refrigerant Type	R134a
Low Side PSI	45.0
Compressor Warranty	5 Years
Parts/Labor Warranty	1 Year



Summit Appliances Division, Felix Storch, Inc.
 770 Garrison Ave • Bronx, NY 10474
 Phone: 718-893-3900 • Fax: 718-842-3093
 Email: info@summitappliance.com