

FFAR2L

20.75" x 19.75" x 21.0" (H x W x D)

"Cube" sized all-refrigerator with automatic defrost and a front lock

Highlights:

Perfectly sized compact to fit tight spaces

Automatic defrost saves you time and maintenance

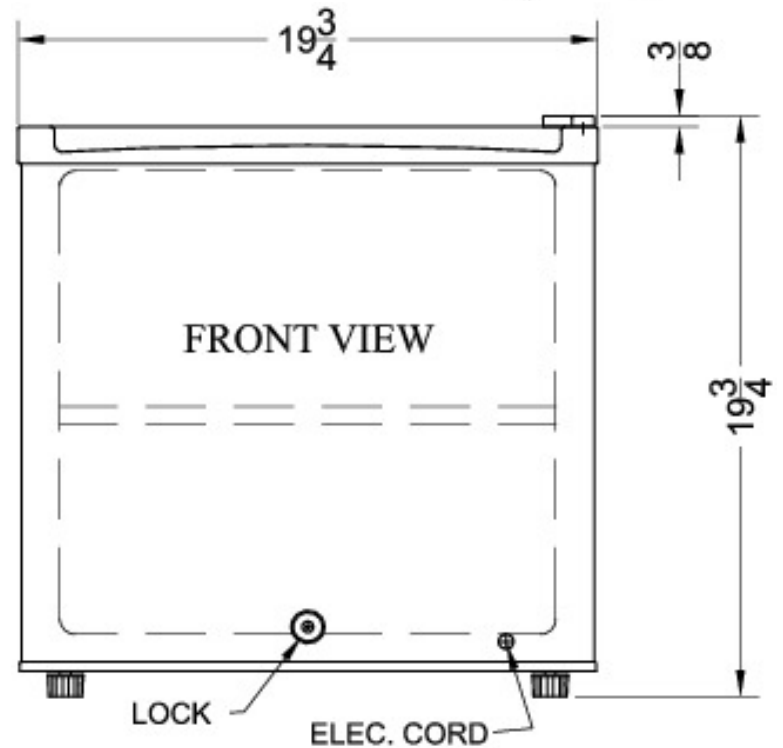
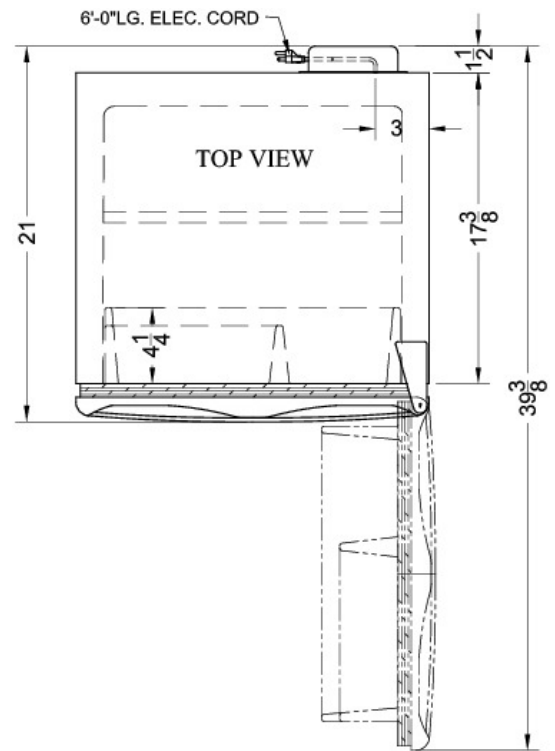
Factory-installed lock provides security you can depend on



Cube size	Compact 20" unit for placement under or above counters
Front-mounted lock	Keep contents secure with a key lock on the door
Automatic defrost	Simplify appliance care by letting your refrigerator defrost itself
No internal fans	Static cooling system
One piece interior liner	Enjoy easy clean-up with a seamless liner that won't hold a mess in hidden crevices
Door storage	Store large bottles right on the door for easy access
Reversible door	Keep your options flexible with a reversible door that's easy to switch when your arrangement changes
Adjustable thermostat	Manage your food's temperature with ease and accuracy
100% CFC	Environmentally friendly design without ozone-damaging chemicals

Specifications:

Height	20.75"
Width	19.75"
Depth	21.0"
Capacity	1.8 cu.ft.
Interior Height 1	15.75"
Interior Width 1	16.75"
Interior Depth 1	15.5"
Comp Step Height	7.5"
Comp Step Width	16.75"
Comp Step Depth	6.5"
Shipping Weight	55.0 lbs.
Other Energy Info	115V / 60Hz
US Electrical Safety	UL
Canadian Electrical Safety	ULC
Amps	1.2
Energy Usage/Year	318.0 kWh/year
Door Swing	RHD
Reversible	Yes
Shelf Quantity	1
Adjustable Shelf	true
Shelf Type	Wire
Full Door Shelf Quantity	1
Half Door Shelf Quantity	1
Defrost Type	Automatic
Depth with door at 90°#176;	39.5"
Height to Hinge Cap	19.75"
Light	true
Condensor Location	Side of Unit
Thermostat Type	Dial
High Side PSI	250.0
Level Legs Quantity	2
Low Side PSI	88.0
Freon Oz	1.84
Freon Type	R134a
Compressor Warranty	5 Years
Parts/Labor Warranty	1 Year



Summit Appliances Division, Felix Storch, Inc.
 770 Garrison Ave • Bronx, NY 10474
 Phone: 718-893-3900 • Fax: 718-842-3093
 Email: info@summitappliance.com