

FS20LGL7

20.75" x 19.75" x 21.0" (H x W x D)

Commercially approved "cube" shaped compact all-freezer with a glass door and front-mounted lock, capable of -20°C degree operation

Highlights:

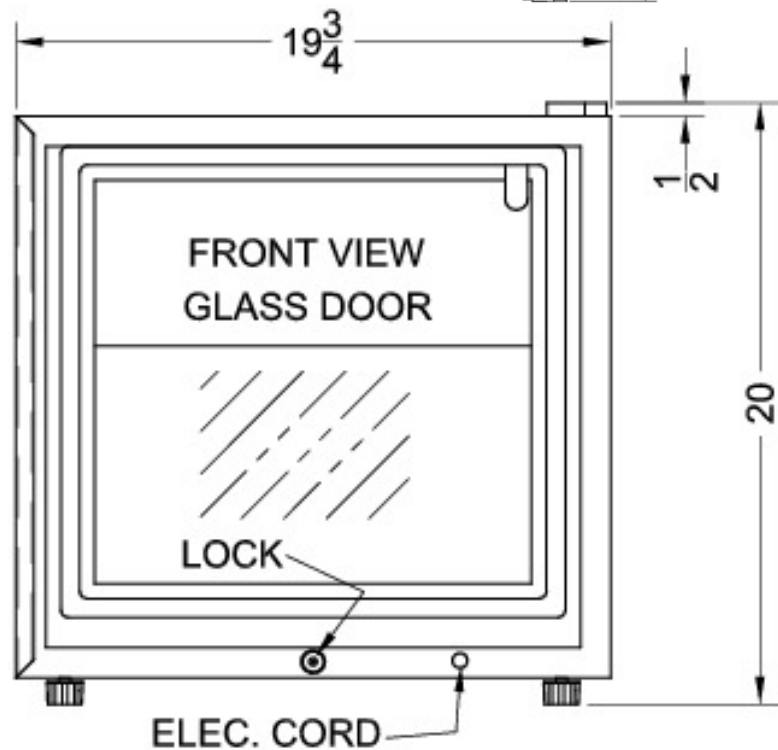
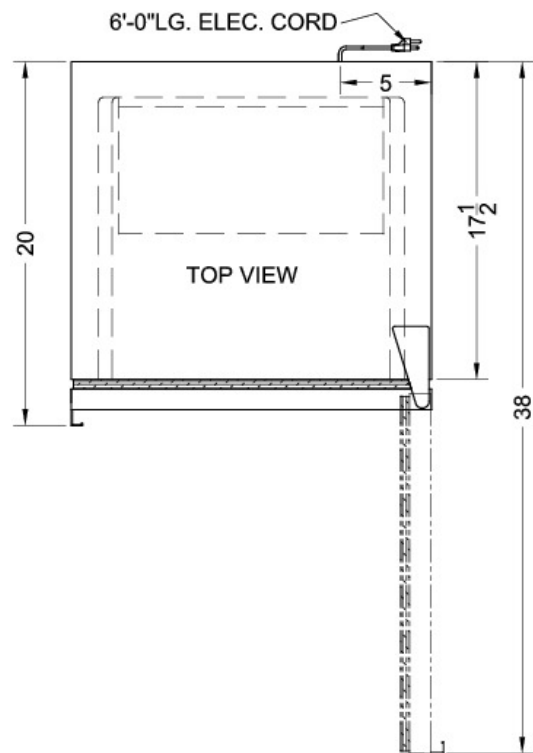
- Glass door provides tempting display of products inside
- Commercially approved for use in foodservice establishments
- Convenient "cube" shape for easy placement above counters
- Factory-installed lock provides security you can count on



Commercially approved	ETL-S Approved to ANSI-NSF Standard 7 and CalCode Compliant
Cube shaped	Square footprint for placement on top of counters
Fully finished white cabinet	Allows the unit to be used freestanding
Glass door	Heat resistant design provides clear view to promote impulse buys
Factory installed lock	Keep contents secure with a key lock on the door
-20°C capable	Operates at safe temperature for storage of vaccines such as FLU MIST and chicken pox
Manual defrost	No temperature fluctuations with an energy efficient manual defrost system
One piece interior liner	Enjoy easy clean-up with a seamless liner that won't hold a mess in hidden crevices
Adjustable thermostat	Manage the interior temperature with ease and accuracy
100% CFC free	Environmentally friendly design without ozone-damaging chemicals

Specifications:

Height	20.75"
Width	19.75"
Depth	21.0"
Capacity	1.6 cu.ft.
Ext Depth with Handle	20.0"
Interior Height 1	14.5"
Interior Width 1	15.5"
Interior Depth 1	15.0"
Comp Step Height	8.5"
Comp Step Width	15.5"
Comp Step Depth	7.0"
Shipping Weight	68.0 lbs.
Amps	1.43
Voltage/Frequency	115 V AC/60 Hz
Energy Usage/Year	277.0 kWh/year
US Electrical Safety	UL
Door Swing	RHD
Reversible	No
Shelf Quantity	1
Adjustable Shelf	true
Defrost Type	Manual
Height to Hinge Cap	20.0"
Depth with door at 90°°	38.0"
Light	true
Thermostat Type	Dial
Condensor Location	Rear of Unit
Low Side PSI	88.0
Level Legs Quantity	2
High Side PSI	250.0
Freon Type	R134a
Freon Oz	3.17
Compressor Warranty	5 Years
Parts/Labor Warranty	1 Year
Sanitation	ETL-S



Summit Appliance Division, Felix Storch, Inc.
 770 Garrison Ave • Bronx, NY 10474
 Phone: 718-893-3900 • Fax: 718-842-3093
 Email: info@summitappliance.com