

**R200W**

43.25" x 20.0" x 23.63" (H x W x D)

White Pearl gas range with electronic ignition and sealed burners in slim 20" width

**Highlights:**

- Elegant look from SUMMIT's White Pearl line of deluxe ranges
- Slim 20 inch width fits easily in any setting
- Porcelain surface for solid durability
- Lower broiler compartment for even heating



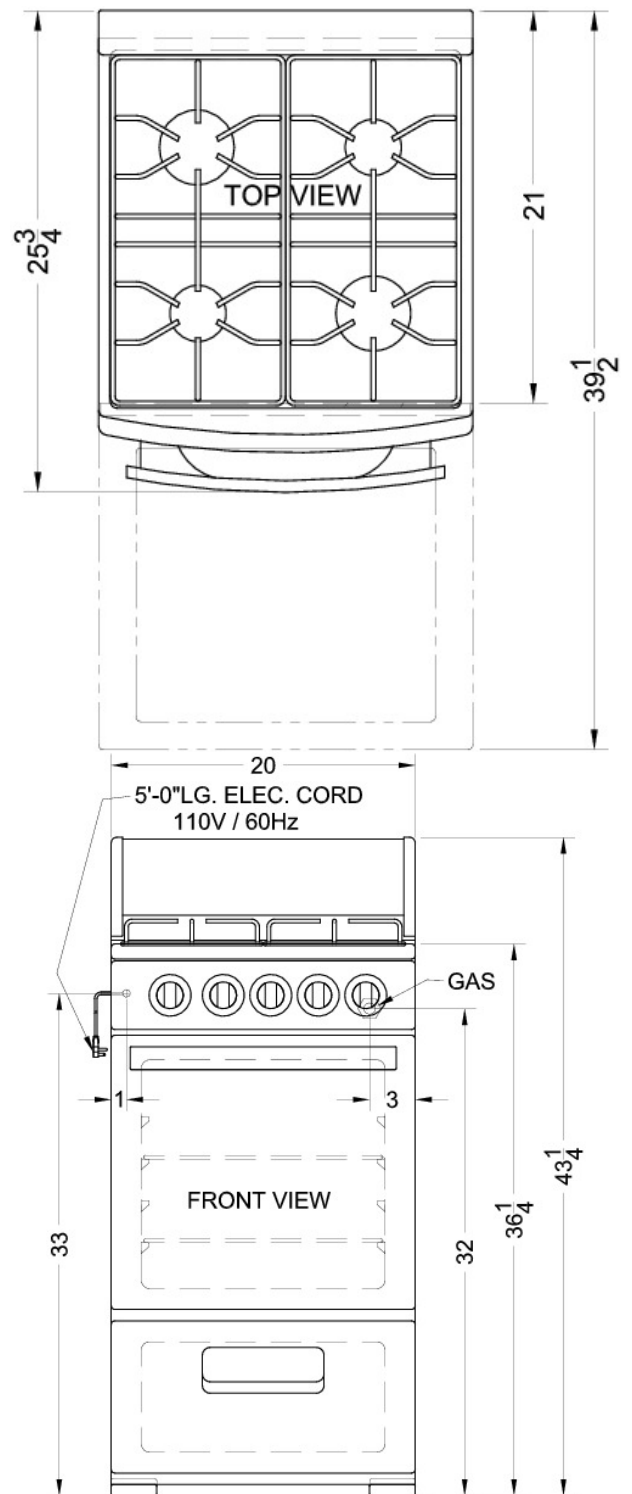
Porcelain stovetop	Durable surface is easy to clean and looks great with or without food on top
Thin-line design	Limited space is no problem for our thin-line models, designed specifically for those hard-to-fit spots without sacrificing cooking capacity. The 2.62 cubic foot oven cavity is one of the industry's largest on a 20" range
Four sealed burners	Quality heating and quick clean-up on your stovetop
Continuous grates	Solid grates can easily support high temperature and heavy weight
Electronic ignition	No gas is released until you turn your range on
Backsplash	High backing prevents stovetop contents from splashing up or boiling over and staining walls
Anti-tip bracket	Accidents happen, but not on this unit. Anti-tip bracket keeps your range in place
Convertible for natural or LP gas	Your range can run on either gas
Color matched handle	White handle blends seamlessly into the range for a clean look

Safety brake  
system for oven  
racks

Sliding racks will stay in your oven with special brake mechanism

## Specifications:

Height	43.25"
Width	20.0"
Depth	23.63"
Capacity	2.62 cu.ft.
Ext Depth with Handle	25.75"
Shipping Weight	155.0 lbs.
US Electrical Safety	UL
Depth with door at 90°	39.5"
Fuel Type	Gas
Burner Temperature Control	Dial
Number of Burners	4
Burner Type	Sealed
LP Convertible	true
Cooktop Surface	Porcelain
Oven Temperature Control	Dial
Parts/Labor Warranty	1 Year



Summit Appliance Division, Felix Storch, Inc.  
 770 Garrison Ave • Bronx, NY 10474  
 Phone: 718-893-3900 • Fax: 718-842-3093  
 Email: info@summitappliance.com