



REX242W



46.75" x 24" x 24" (H x W x D)

24" wide smoothtop electric range with lower storage drawer, oven window, and digital clock

Highlights:

Smooth ceramic glass cooking surface ensures easy cleanup and safer cooking

24" fit is ideal for smaller homes

Lower storage drawer lets you maximize your kitchen space

Large oven window with light makes it easy to monitor your cooking without opening the door

Product Features:

24" width	Perfectly sized for apartments and smaller home kitchens
Smooth ceramic glass top	Smooth cooking surface ensures improved safety and easy cleaning
Backsplash	High backing prevents stovetop contents from splashing up or boiling over and staining walls
Oven window with light	Easier monitoring of your cooking with an oven window and on/off light
Digital clock and timer	Deluxe backguard includes clock and timer function for added convenience
Storage drawer	Save even more space by storing your pots and pans in this pull-out compartment
Waist-high broiler	Broiler is located inside the oven, making it easier to use
Upfront controls	Control panel is conveniently located to prevent users from reaching over hot cooktop surface for adjustments
Four cooking zones	Surface features two 8" and two 6" elements to accommodate a range of sizes and cooking needs

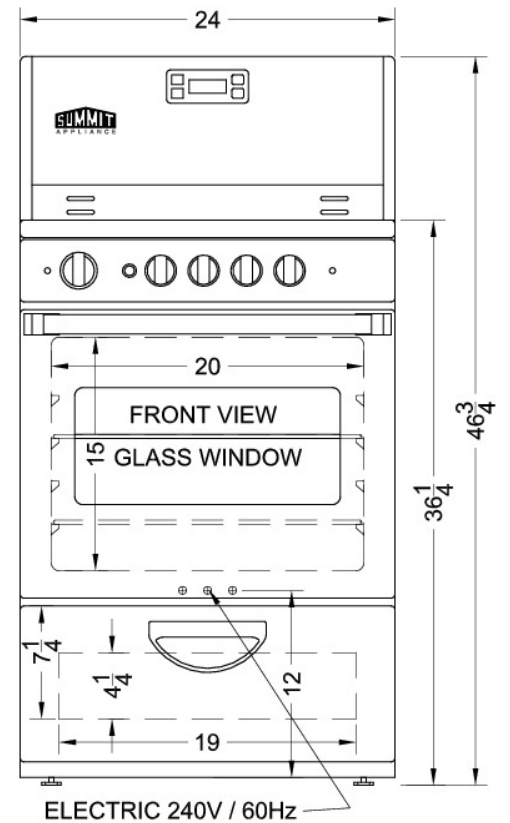
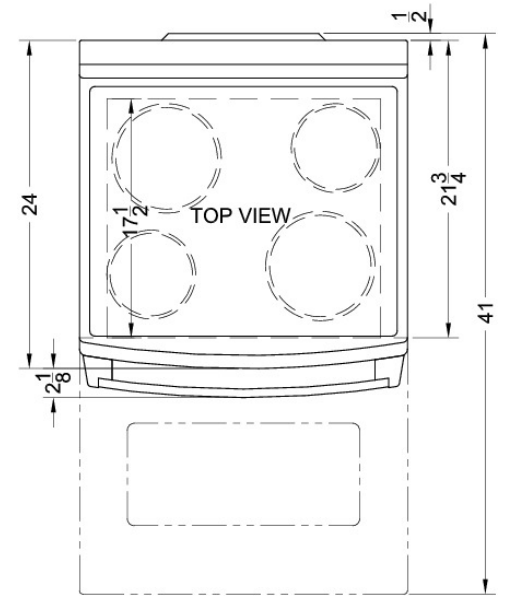


REX242W Specifications:

Overview	
Height	46.75"
Width	24.0"
Depth	24.0"
Depth with Handle	26.13"
Depth with door at 90°	41.0"
Door	White
Cabinet	White
US Electrical Safety	UL
Weight	135.0 lbs.
Shipping Weight	150.0 lbs.
Parts & Labor Warranty	1 Year
Electric Range	
Oven Capacity	3.0cu.ft.
Cooktop Surface	Glass
Element Type	Glasstop
Number of Elements	4
Element #1 Size	8.0"
Element #1 Wattage	1700.0
Element #2 Size	6.0"
Element #2 Wattage	1200.0
Element #3 Size	6.0"
Element #3 Wattage	1200.0
Element #4 Size	8.0"
Element #4 Wattage	1700.0
Burner Controls	Dial
Oven Controls	Dial
Oven Light	Yes
Cooking Timer	Yes
Backguard	Yes
Backguard Display	Yes
Cleaning Type	Manual
Oven Rack Qty	2
Oven Window	Yes
Oven Interior Height	15.0"
Oven Interior Width	20.0"
Oven Interior Depth	17.5"
Power Source	220V
Storage Compartment	Yes

Broiler Location

Inside Oven



SUMMIT APPLIANCE DIVISION FELIX STORCH, INC.

770 Garrison Avenue, Bronx, NY 10474 USA TEL 718-893-3900 FAX 844-478-8799 info@summitappliance.com www.summitappliance.com