

SCR610BL

34.0" x 23.63" x 23.5" (H x W x D)

Built-in undercounter commercial beverage center w/SS interior, lock, and digital thermostat

Highlights:

ETL-S listed to NSF-7 commercial standards

Reversible glass door and LED lighting provide an attractive display

Stainless steel interior ensures long-lasting durability with easy cleanup

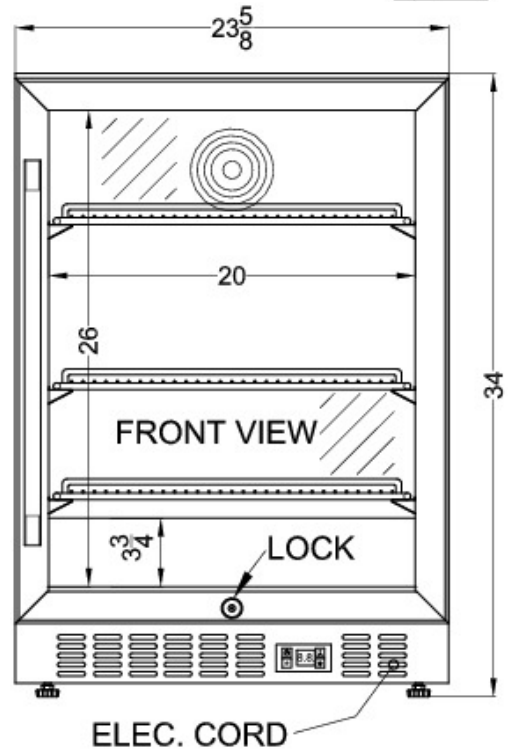
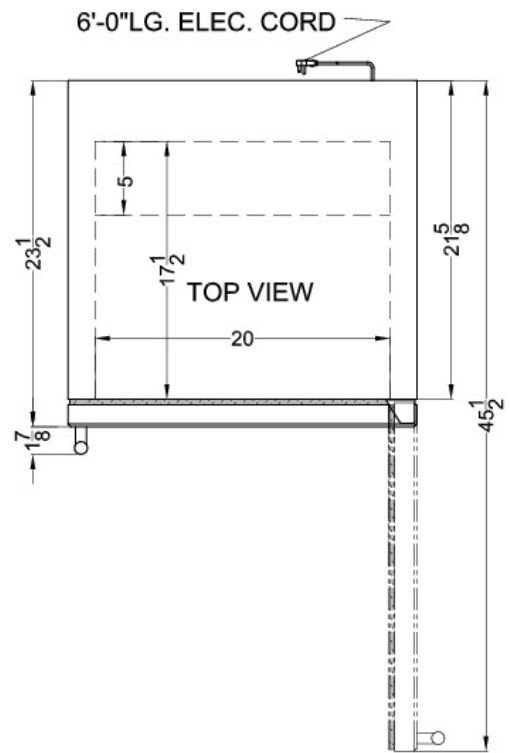
Digital controls offer easy and intuitive temperature management



Commercially approved	ETL-S listed to NSF-7 Standards for use in commercial establishments
Built-in capable	Make the best use of space by installing this unit under the counter and flush with other cabinetry
Fully finished black cabinet	Allows the unit to be used freestanding
Glass door	Stainless steel trimmed glass door offers a full display of stored items
Stainless steel interior	Walls are constructed from stainless steel for added strength and easy cleanup
Factory installed lock	Keyed lock for a secure interior
Digital thermostat	Intuitive digital controls ensure easy temperature management
Reversible door	User-reversible door swing allows for more flexibility in placing the unit
Adjustable shelves	Rearrange refrigerator space to accommodate all sizes or remove shelves for simple cleanup
Professional handle	Stainless steel handle completes the professional look

SCR610BL Specifications:

Height	34.0"
Width	23.63"
Depth	23.5"
Capacity	5.0 cu.ft.
Ext Depth with Handle	25.38"
Interior Height 1	26.0"
Interior Width 1	20.0"
Interior Depth 1	17.5"
Comp Step Height	3.75"
Comp Step Width	20.0"
Comp Step Depth	5.0"
Shipping Weight	130.0 lbs.
Weight	100.0 lbs.
Voltage/Frequency	115 V AC/60 Hz
US Electrical Safety	ETL
Canadian Electrical Safety	ETL-C
Amps	0.8
Reversible	Yes
Door Swing	RHD
Shelf Quantity	3
Adjustable Shelf	true
Shelf Type	Chrome
Defrost Type	Automatic
Depth with door at 90°	45.5"
Light	true
Thermostat Type	Digital
Fan Type	Interior and Exterior
Level Legs Quantity	2
Freon Oz	0.99
Refrigerant Type	R600a
Low Side PSI	105.0
High Side PSI	270.0
Parts/Labor Warranty	1 Year
Compressor Warranty	5 Years
Sanitation	ETL-S



Summit Appliance Division, Felix Storch, Inc.
 770 Garrison Ave • Bronx, NY 10474
 Phone: 718-893-3900 • Fax: 718-842-3093
 Email: info@summitappliance.com