

SEH1530C

32.0" x 29.75" x 19.63" (H x W x D)

30" European 530 CFM range hood in stainless steel

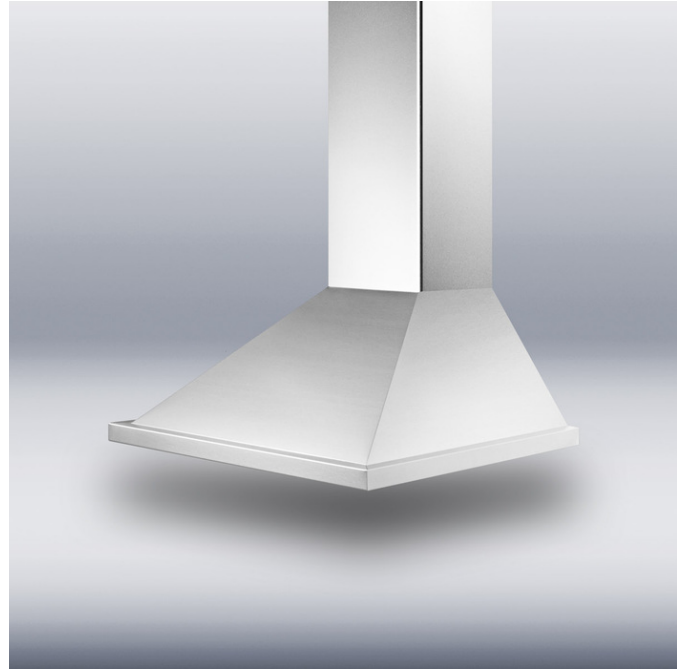
Highlights:

Designed and manufactured in Spain for SUMMIT PROFESSIONAL

Elegant style in brushed stainless steel

530 CFM blower preinstalled

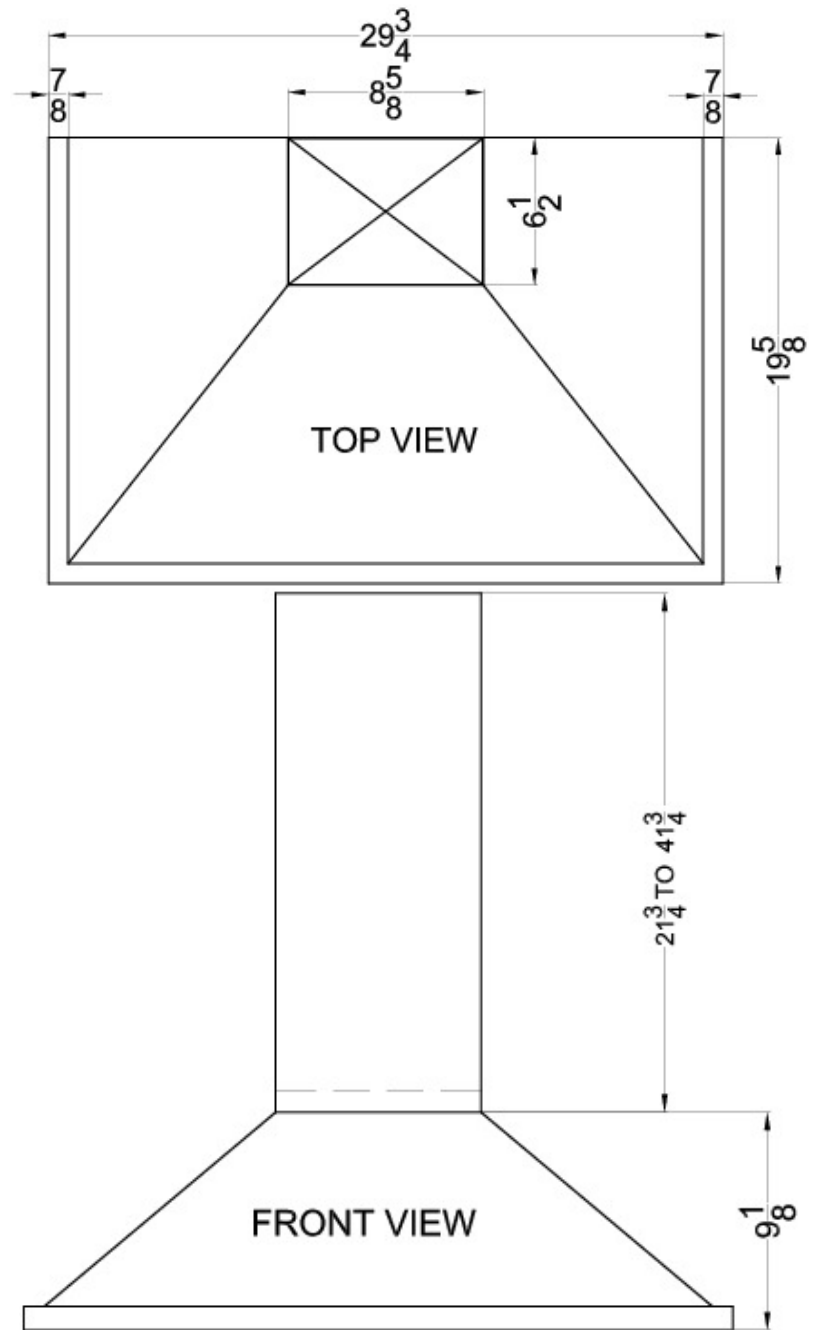
Adjustable chimney height offers flexible sizing



Stainless steel construction	Quality material with an elegant look in brushed stainless steel
530 CFM blower	Professional motor is preinstalled for easy use
Convertible with filter	Designed for ducted use, this range hood can be used in recirculating (ductless) mode when you order SEHCF charcoal filter set
Two aluminum cassette filters	Dishwasher safe filters offer wide filtration area for better ventilation
Timer function	Set the unit to ventilate for a 15 minute interval that automatically turns off when complete
Two 40W lights	Includes two preinstalled incandescent bulbs
Three-speed fan	Offers more options for ventilation
European made	Designed and manufactured in Spain with all UL-Listed components
6" round ducting	Ideal for most kitchen settings
Height adjustable chimney	Chimney height can be set from 21 3/4" to 41 3/4"

Specifications:

Height	32.0"
Width	29.75"
Depth	19.63"
Shipping Weight	71.0 lbs.
Weight	30.0 lbs.
US Electrical Safety	UL
Canadian Electrical Safety	ULC
Number of Fan Speed	3
Under Hood Light	true
Max Air Movement	530.0
Parts/Labor Warranty	1 Year



Summit Appliance Division, Felix Storch, Inc.
770 Garrison Ave • Bronx, NY 10474
Phone: 718-893-3900 • Fax: 718-842-3093
Email: info@summitappliance.com