

SWC1875

63.5" x 23.63" x 22.38" (H x W x D)

Dual zone 108 bottle wine cellar with two glass doors and digital thermostats; for built-in or freestanding use

Highlights:

Full 108 bottle capacity

Chill white and sparkling wine while preserving red in two distinct temperature zones

Recessed LED lighting offers an elegant view of your collection

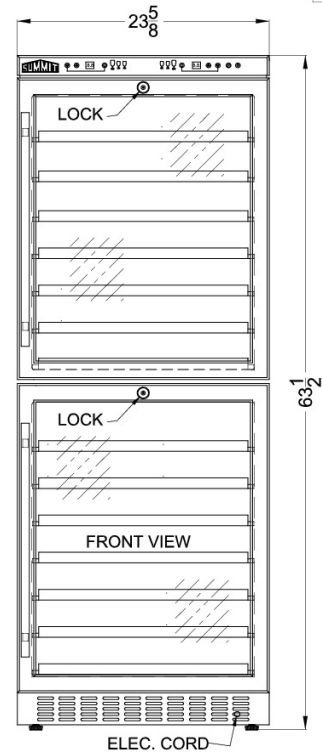
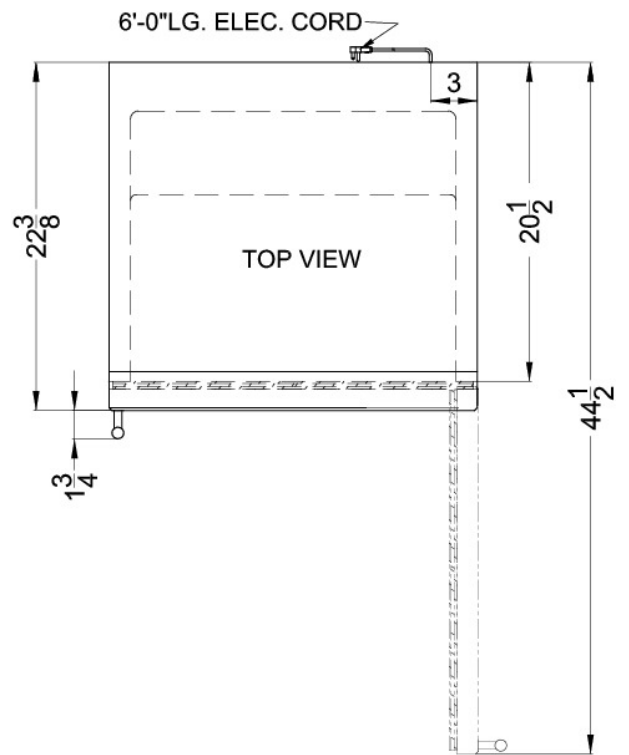
Digital controls ensure your wine is stored at its proper temperature



Built-in capable	Front-breathing unit can be integrated into your cabinetry; 1/4" of space required around sides and top
Fully finished black cabinet	Allows the unit to be used freestanding
Large capacity	Stores up to 108 bottles
Two temperature zones	Chill white and sparkling wine in the upper zone while preserving your reds at a warmer temperature below
Two reversible glass doors	Elegant tint with user-reversible convenience and stainless steel trim
Factory installed locks	Keyed locks for secure interiors
Recessed LED lighting	Attractive illumination and an external on/off switch
Slide-out wooden shelving	14 easy gliding shelves
Automatic defrost	Reduced maintenance with auto defrost system
Professional handles	Sturdy chrome handles add a professional look

Specifications:

Height	63.5"
Width	23.63"
Depth	22.38"
Weight	191.0 lbs.
Amps	2.8
US Electrical Safety	ETL
Voltage/Frequency	115 V AC/60 Hz
Canadian Electrical Safety	ETL-C
Reversible	Yes
Door Swing	RHD
Shelf Quantity	14
Shelf Type	Wood
Wine Bottle Holder	true
Defrost Type	Automatic
Fan Type	Interior
Thermostat Type	Digital
Light	true
Low Side PSI	103.0
High Side PSI	270.0
Freon Type	R134a
Freon Oz	3.8
Parts/Labor Warranty	1 Year
Compressor Warranty	5 Years



Summit Appliance Division, Felix Storch, Inc.
 770 Garrison Ave • Bronx, NY 10474
 Phone: 718-893-3900 • Fax: 718-842-3093
 Email: info@summitappliance.com