



## Model CRTE Electric, Countertop Rethermalizer



Project \_\_\_\_\_

Item No. \_\_\_\_\_

Quantity \_\_\_\_\_

Model CRTE Electric, Countertop Rethermalizer

### STANDARD SPECIFICATIONS

#### CONSTRUCTION

- Stainless steel cabinet.
- Marine grade 316 stainless steel tank.
- Quick disconnect drain fitting.
- Integrated drain screen to prevent clogging.

#### CONTROLS

- ON/OFF/RESET switch.
- Digital control with temperature display.
- Manual reset, high temperature protection. If the unit runs out of water and the tank overheats, the heating circuit is disabled until the ON/OFF/RESET switch is pressed to RESET.

### STANDARD ACCESSORIES

- Display controller with temperature display
- Drain hose with shut off valve
- Four (4) product racks
- Stainless steel tank and cabinet
- Power cord supplied; choice of plug:
  - Shrouded twist lock (NEMA L6-30P)
  - Twist lock (NEMA L6-30P)
  - Pin and sleeve
  - 90° straight blade (NEMA 6-30P)
- 24 volt receptacle and mounting pins for product timer

**Note:** NCC product timer not supplied by Pitco

### OPERATIONS

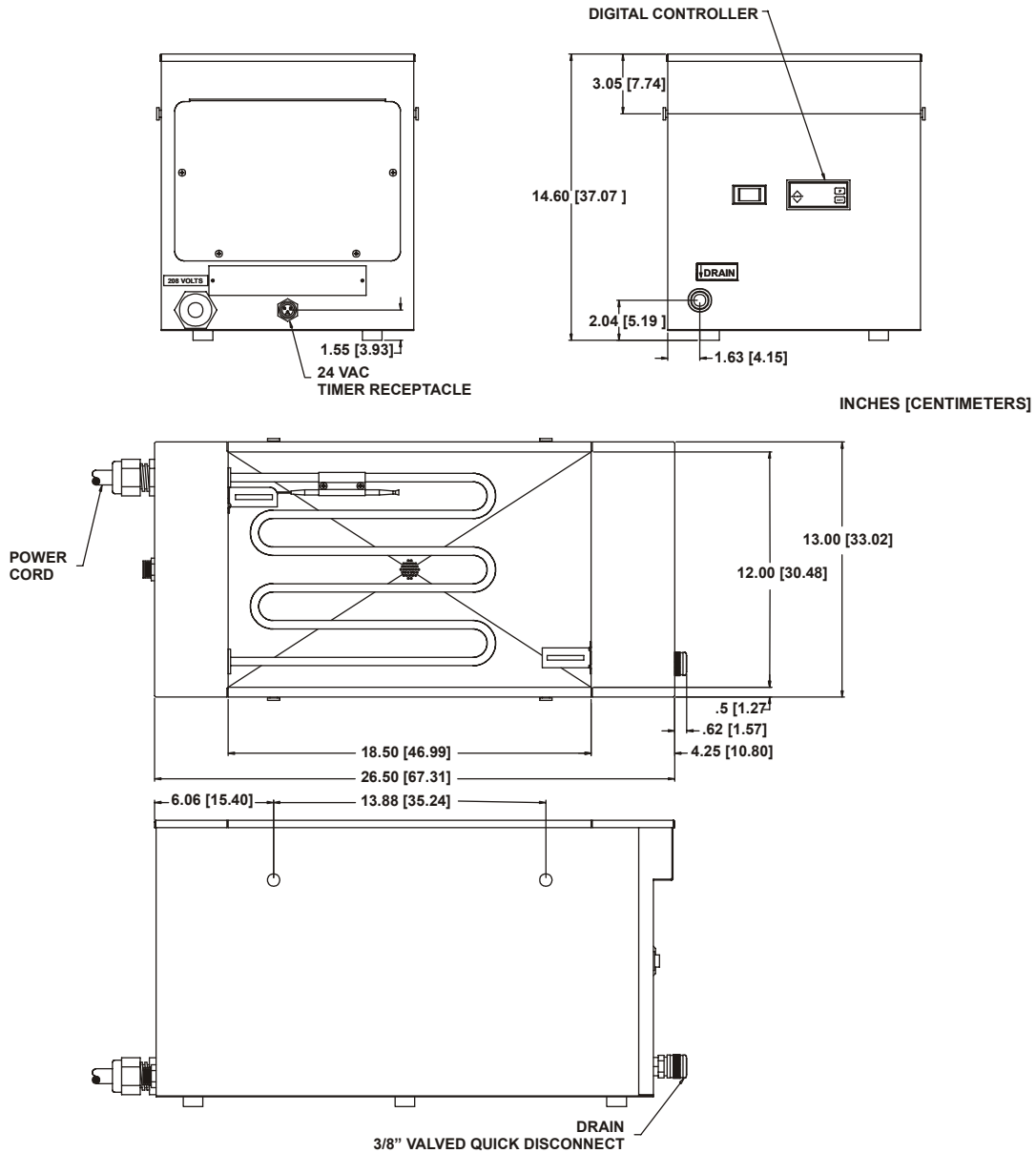
- Tank holds six (6) gallons (22.7 liters) of water.
- Automatic temperature control.
- Rethermalizes prepared packaged foods.

### APPROVALS

- NSF Listed (24100-0008-000)
- CUL Approved (KNGT-&, 55456)
- UL Listed (E55456)



# Model CRTE Electric, Countertop Rethermalizer



ELECTRIC COUNTERTOP RETHERMALIZER			
<b>ELECTRIC</b>		<b>WATER CAPACITY</b>	<b>COOK DEPTH</b>
VOLTAGE/HZ/PHASE	AMPS/EA	6 Gallons (22.7 liters)	8 1/2" (22 cm)
208/60/1	28.8		
<b>SHIPPING INFORMATION (Approximate)</b>			
60 pounds (27.2 kg)/6.3 cubic feet (0.18 cubic meters)			
<b>ELECTRIC INPUT</b>		<b>PERFORMANCE CHARACTERISTICS</b>	
6kW		Rethermalizes prepared packaged food.	
<b>SHORT FORM SPECIFICATION</b>			
Provide Pitco Model CRTE Electric Countertop Rethermalizer. Unit shall have the ability to heat water and maintain thermostatically controlled temperature. Tank shall be constructed of type 316 stainless steel and hold 6 gallons (22.7 liters) of water with front drain. Entire cabinet shall be constructed of stainless steel. Provide accessories as follows:			
<b>TYPICAL APPLICATION</b>			
Typical Application-Rethermalizing pre-cooked/packaged food products.			

