

## MEALS ON COMMAND™ Hot/Cold Cart - Meal Delivery System



### Item Numbers

- DXMOC10
- DXMOC20

### Optional Accessories

- DX1089MOC23 - Tray
- DX5323J - Tray Cover
- DX9000Bseries - Tropez Mug
- DX9200Bseries - Tropez 5 oz. Bowl
- DX9300Bseries - Tropez 9 oz. Bowl
- DX9407Bseries - Tropez 7-3/4" Dome
- DX9400Bseries - Tropez 9" Dome
- DX9000B7000 - Mug & 5 oz. Bowl Lid
- DX9300B7000 - 9 oz. Bowl Lid

### Application

Designed for hospital and health care food service operations that use cook-serve meal preparation. Allows operators to operate tray line in advance, load trays into cart and hold meals wherever it's convenient. Hot, cold and HACCP-safe until ready to serve.

### Construction

Cart is formed, welded and riveted stainless steel with a .090 aluminum base. Formed stainless steel angles inside cart hold twenty 23" x 13.5" trays on 3 3/4" spacing. Field removable refrigeration assembly and heater/blower box are powered by 120 volt, 20 amp electrical service. Interior cart divided into hot and cold side by thermal dividers with silicone gaskets. Two stainless steel doors, swinging 270 degrees, held open via magnets.

Six 6" casters-Four swivel, two stationary, with two containing conductive wheels.

### Electrical

This unit is 120 volts Single Phase, 20 Amp service with a NEMA 5-20P Plug. The heating system shall be convection via fan and heat strip, contained inside a removable heater box.

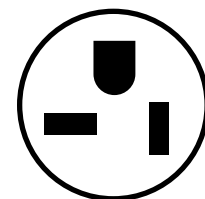
### Refrigeration

Modular refrigeration units use R134A refrigerant.

### Warranty

One year parts and labor.

### PLUG CONFIGURATION



NEMA 5-20P

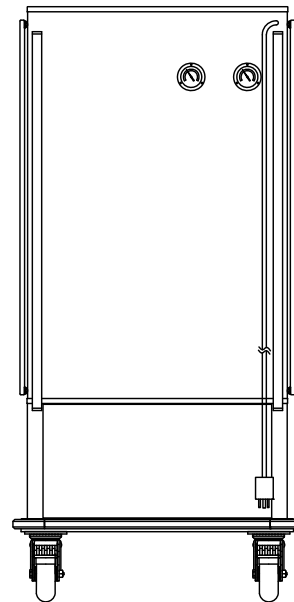
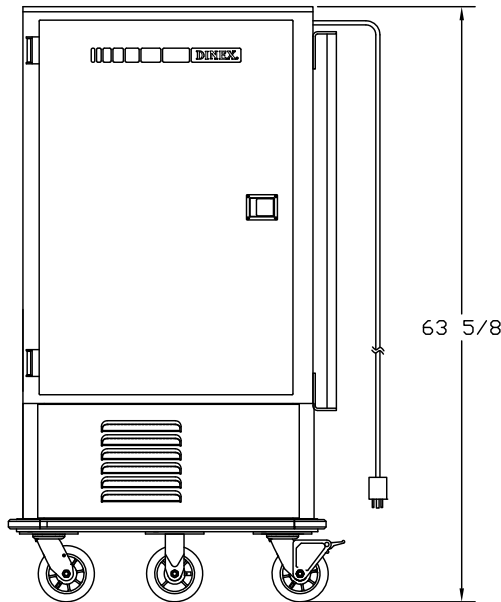
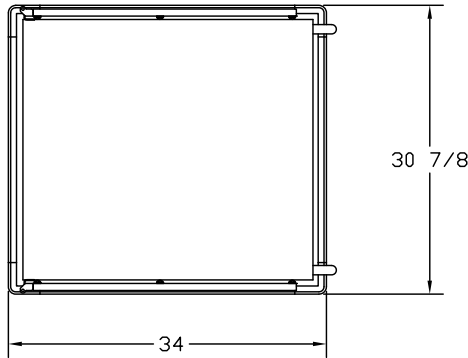
# DINEX®

Building 2, Suite 106  
628 Hebron Avenue  
Glastonbury, CT 06033  
800.523.9752 Fax: 860.652.3135  
www.dinex.com

144-REV 01/10

# MEALS ON COMMAND™

## Hot/Cold Cart - Meal Delivery System



### Items and Dimensions

ITEM NUMBER	MODEL NUMBER	TRAY CAPACITY	TRAY SIZE	LENGTH	DEPTH	HEIGHT	WEIGHT
DXMOC10	MOC10	10	23" X 13.5" (58.5cm x 34.5cm)	34" (84.6cm)	30.875" (78.4cm)	47.02" (119.4cm)	325 lb. (147.4kg)
DXMOC20	MOC20	20	23" X 13.5" (58.5cm x 34.5cm)	34" (84.6cm)	30.875" (78.4cm)	63.625" (161.6cm)	367 lb. (166.5kg)



Please confirm that you have the most current specification sheet by visiting [www.dinex.com](http://www.dinex.com).  
 Dinex® reserves the right to change specifications and product design without notice.  
 Such revisions do not entitle the buyer to corresponding changes, improvements, additions or replacements for previously purchased equipment.

Printed in USA

# DINEX®

Building 2, Suite 106  
 628 Hebron Avenue  
 Glastonbury, CT 06033  
 800.523.9752 Fax: 860.652.3135  
[www.dinex.com](http://www.dinex.com)

144-REV 01/10