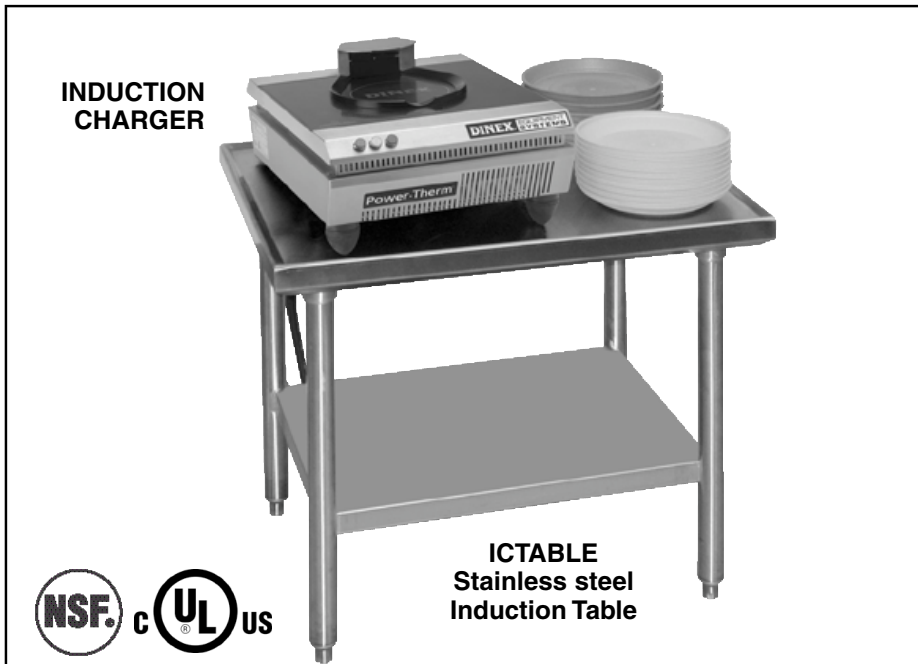


POWER•THERM™ INDUCTION CHARGER



Application

The Power•Therm induction charger is designed to be used exclusively with Dinex® Power•Therm induction base. This unique meal delivery system which heats in 10 seconds on the Power•Therm induction charger is ideal for facilities using a hot tray makeup line for patient and resident meal service. Ideal for room service applications. The base design reduces the number of pieces to process in warewashing, providing efficiencies in both labor and equipment requirements.

The base is easily handled since its sides are cool to the touch and requires no suction cup or gloves, even when fully heated.

The Power•Therm induction charger is simple to use, no external switches to break and easily to read visual monitor.

Double heating is prevented by on board sensors. The sensors prevent wrong items from activating the system accidentally.

Controls

- **Green Blinking Light** - Power is on.
- **Green and Orange Lights On** - Power is being applied
- **Blinking Green and Orange Lights** - Heat cycle is complete, remove base.
- **Green Blinking Light** - Charger is ready for use.
- **Flashing Red Light** - Foreign object is sitting on the heating charger (no energy is being applied).
- **Steady Red Light** - Refer to service manual.

Standard Features

- **Compact design** - Small foot print, space saving
- **Energy efficient** - One charger takes the place of up to four convection base heaters.
- **Rapid cycle** - Heats the Power Therm base in 10 seconds.
- **Stainless steel exterior** - Easy to clean.
- **Non-metallic top.**

Model Numbers

- 4111208 (208V)
- 4111208H (208V) For hotel base
- 4111240 (240V)

Power•Therm Induction Bases

- 4111434 - Gray
- 4111036 - Hunter Green
- 4111478 - Natural
- 4111507 - Teal
- 4111508 - Cranberry
- 4111509 - Mauve
- 4111480 - Hotel/Natural

Packed 10/case

Drying & Storage Racks For Power•Therm™ Bases

- IBDRP/100 - Holds 100 Induction Bases
- IBDRP/200 - Holds 200 Induction Bases
- IBDRP/300 - Holds 300 Induction Bases

Replacement Cradle for Storage Rack

- 0114950 - Replacement cradle holds regular bases (See spec sheet 125)

Base

- **One base on the tray** - No underliner required, less to wash, store and handle.
- **High-impact plastic** - Durable, yet lightweight.
- **45 minute holding time** - Ideal for even the longest delivery times.

Warranty

One year parts and labor.

DINEX® International, Inc.

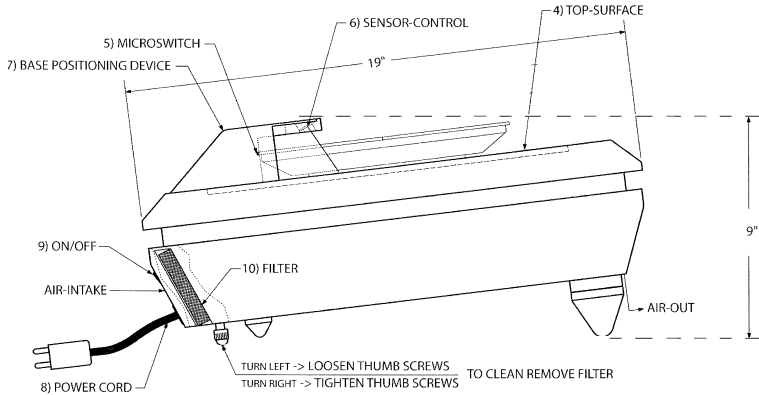
Building 2, Suite 106
628 Hebron Avenue
Glastonbury, CT 06033-5006
(800) 523-9752 Fax: (860) 652-3135
<http://www.dinex.com>

112-REV 03/05

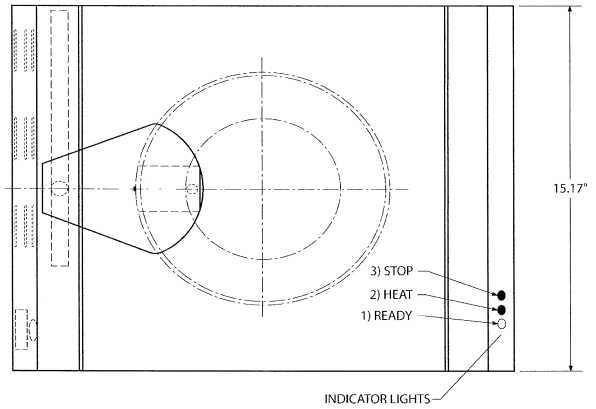
POWER•THERM™ INDUCTION CHARGER

POWER•THERM™ INDUCTION CHARGER

Side View



Top View



Items and Dimensions

MODEL NUMBER	HEIGHT	LENGTH	DEPTH	ELECTRICAL	PLUG	SHIP WEIGHT	SHIP CUBE
4111208	9" (23cm)	15.17" (39cm)	19" (48cm)	208V 3 Phase/ 20 Amp	NEMA L15-20P	34.5 lbs (15.7kg)	1.6
4111208H For Hotel bases	9" (23cm)	15.17" (39cm)	19" (48cm)	208V 3 Phase/ 20 Amp	NEMA L15-20P	34.5 lbs (15.7kg)	1.6
4111240	9" (23cm)	15.17" (39cm)	19" (48cm)	208V 3 Phase/ 20 Amp	NEMA L15-20P	34.5 lbs (15.7kg)	1.6
4111240H For Hotel bases	9" (23cm)	15.17" (39cm)	19" (48cm)	208V 3 Phase/ 20 Amp	NEMA L15-20P	34.5 lbs (15.7kg).	1.6

PLUG CONFIGURATION



NEMA L15-20P



Please confirm that you have the most current specification sheet by visiting www.dinex.com.
Dinex® reserves the right to change specifications and product design without notice.
Such revisions do not entitle the buyer to corresponding changes, improvements, additions or replacements for previously purchased equipment.

Printed in USA

DINEX
International, Inc.
Building 2, Suite 106
628 Hebron Avenue
Glastonbury, CT 06033-5006
(800) 523-9752 Fax: (860) 652-3135
<http://www.dinex.com>

112-REV 03/05