

BEVERAGE URN STAND COUNTER

DineXpress®



Counter options and laminate panels available. Stainless steel panels standard.

Application

The DineXpress Beverage Urn Stand Counters will accommodate a number of dispensers. All DineXpress counters are compatible and will interlock with other DineXpress units.

Construction

Top: Top is constructed of 16-gauge 300 series stainless steel and reinforced to handle all of the dispensers.

Front and End Panels: Exterior front and end panels are constructed of 18-gauge stainless steel. These panel can be removed without use of tools.

Corner Posts: The corner posts are constructed of 14-gauge stainless steel.

Casters: Beverage Urn Stands are mounted on 5" swivel casters, 2-with brakes.

Options

- Intermediate undershelf
- Duplex outlet
- Cutouts
- Drop down work shelf
- Tray slide
- Hinged doors
- Formica laminate panels
- Acrylic tops
- Engineered stone tops
- Skirting
- Over head shelf
- Legs in lieu of casters

Item Numbers

- DXDUS2
- DXDUS3
- DXDUS4
- DXDUS5
- DXDUS6

Warranty

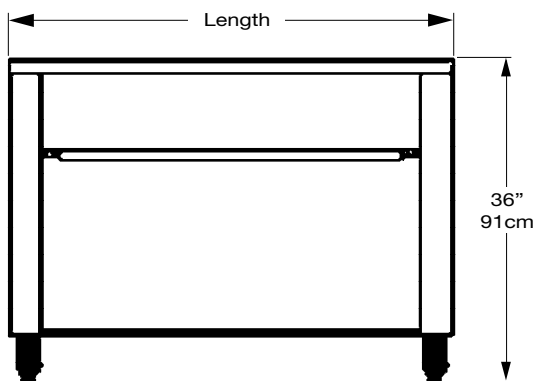
One year parts and labor.

DINEX®

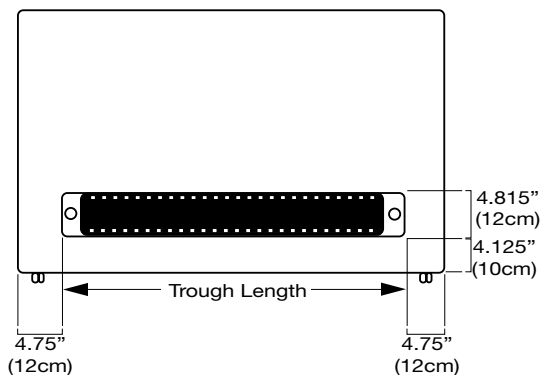
Building 2, Suite 106
628 Hebron Avenue
Glastonbury, CT 06033
800.523.9752 Fax: 860.652.3135
www.dinex.com

401-REV 01/10

BEVERAGE URN STAND COUNTER



Back View



Top View



Items and Dimensions

ITEM NUMBER	MODEL NUMBER	LENGTH	DEPTH	HEIGHT	TROUGH LENGTH	SHIP WEIGHT	SHIP CUBE
DXDUS2	DUS/2	35" (89cm)	30" (76cm)	36" (91cm)	25.5" (65cm)	350 lb. (158.9kg)	24.8
DXDUS3	DUS/3	49" (125cm)	30" (76cm)	36" (91cm)	39.5" (100cm)	405 lb. (183.9kg)	37.6
DXDUS4	DUS/4	63" (160cm)	30" (76cm)	36" (91cm)	53.5" (136cm)	465 lb. (211.1kg)	47.4
DXDUS5	DUS/5	77" (196cm)	30" (76cm)	36" (91cm)	67.5" (171cm)	531 lb. (241.1kg)	57.4
DXDUS6	DUS/6	91" (231cm)	30" (76cm)	36" (91cm)	81.5" (207cm)	595 lb. (270.1kg)	67.1



Please confirm that you have the most current specification sheet by visiting www.dinex.com.
 Dinex® reserves the right to change specifications and product design without notice.
 Such revisions do not entitle the buyer to corresponding changes, improvements, additions or replacements for previously purchased equipment.

Printed in USA



Building 2, Suite 106
 628 Hebron Avenue
 Glastonbury, CT 06033
 800.523.9752 Fax: 860.652.3135
www.dinex.com

401-REV 01/10