

VALUE-LINE TRAY DELIVERY CART - ENCLOSED

Accommodates 14" x 18" and 15" x 20" Trays and
Dinex Room Service Tray DX1089RS152003



Application

The Value-Line, single door delivery cart is designed for transport of patient meals to decentralized locations. The all stainless cart features fixed tray slides, 5-1/4" tray spacing that accommodates two each 14" x 18", 15" x 20" trays per slide and Dinex Room Service Tray DX1089RS152003.

Construction

Dinex® Value-Line tray cart has a 1" 18-gauge tubular frame with welded 18-gauge pre-formed side panels/tray slides. Top, bottom and single panel door is of 18-gauge, stainless steel. Door has recessed door pull with a top mounted heavy duty drop door latch. The door has a 270° swing with magnets to keep the door in an opened position.

Casters: Four 5" diameter plate-type, 2 fixed, 2 swivel with brakes.

Item Numbers

- DXICT16
- DXICT20
- DXICT24

Pass-Thru Model

- DXICTPT16
- DXICTPT20
- DXICTPT24

Standard Features

- All stainless steel
- Pull type door handle
- Drop latch with magnets
- Small footprint
- Plate-type 5" casters, 2 with brakes

Options

- Wrap around bumper
- Corner bumpers
- Push handle

Warranty

One year parts and labor.

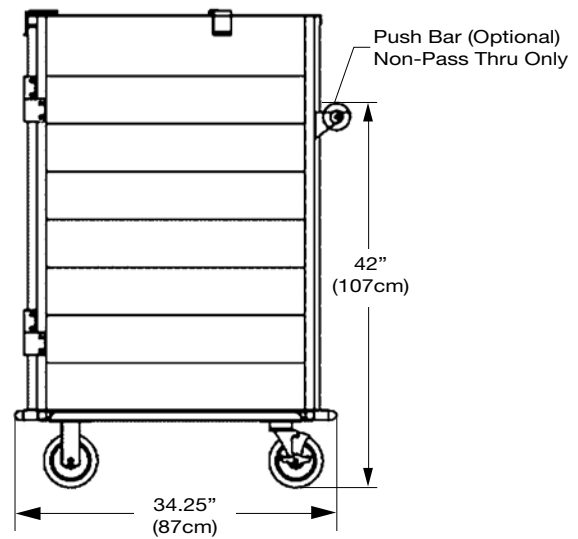
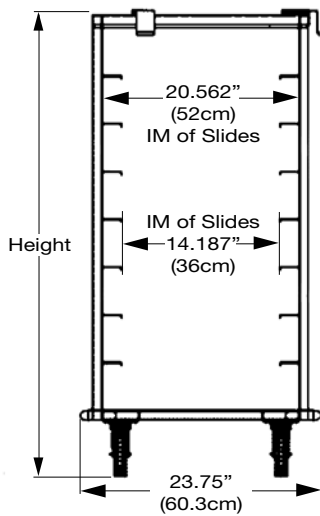
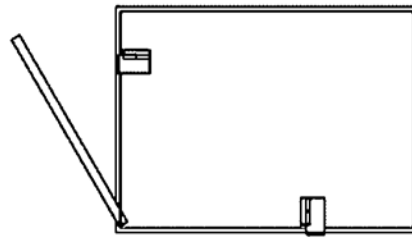
DINEX®

Building 2, Suite 106
628 Hebron Avenue
Glastonbury, CT 06033
800.523.9752 Fax: 860.652.3135
www.dinex.com

138-REV 10/09

VALUE-LINE TRAY DELIVERY CART - ENCLOSED

Accommodates 14" x 18" and 15" x 20" Trays and
Dinex Room Service Tray DX1089RS152003



Items and Dimensions

ITEM NUMBER	MODEL NUMBER	LENGTH	DEPTH	HEIGHT	SHIP WEIGHT	SHIP CUBE	TRAY SPACING	TRAY CAPACITY
DXICT16 DXICTPT16	ICT/16 ICTPT/16	23.75" (60.3cm)	34.25" (87cm)	54" (137.2cm)	275 lb. (125kg) 285 lb. (129kg)	27.1	5.281"	16
DXICT20 DXICTPT20	ICT/20 ICTPT/20	23.75" (60.3cm)	34.25" (87cm)	65.25" (165.7cm)	295 lb. (134kg) 305 lb. (138.5kg)	32.2	5.281"	20
DXICT24 DXICTPT24	ICT/24 ICTPT/24	23.75" (60.3cm)	34.25" (87cm)	76.5" (194.3cm)	315 lb. (143kg) 325 lb. (147kg)	37.2	5.281"	24



Please confirm that you have the most current specification sheet by visiting www.dinex.com.
Dinex® reserves the right to change specifications and product design without notice.
Such revisions do not entitle the buyer to corresponding changes, improvements, additions or replacements for previously purchased equipment.

Printed in USA



Building 2, Suite 106
628 Hebron Avenue
Glastonbury, CT 06033
800.523.9752 Fax: 860.652.3135
www.dinex.com

138-REV 10/09