

CANTILEVER STYLE RACK DISPENSERS

Item Numbers

- DXIDRC1020
- DXIDRC2020



Application

This self-leveling cantilever style rack dispensers can be found in tray lines, or any place your needs require.

Construction

The cantilever style rack dispenser is made of all-welded stainless steel construction and accepts racks on a stainless steel spring-loaded, self-leveling carriage. Carriage is cantilevered to a vertical support on two each 14-gauge arms and shall feature a bank of tension spring concealed inside the vertical support.

Spring tension for carriage is field adjustable without tools by hooking or unhooking springs to or from the carriage, providing proper dispensing level. Carriage platform is made of 18-gauge stainless steel and vertical supports panels and the top is made of 20-gauge stainless steel. Unit base are 18-gauge stainless steel and feature corner bumpers. Units have on four 5" extra-load casters (two with brakes).

Warranty

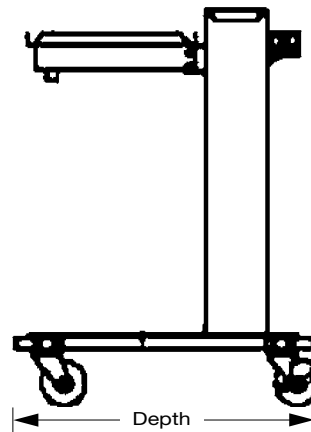
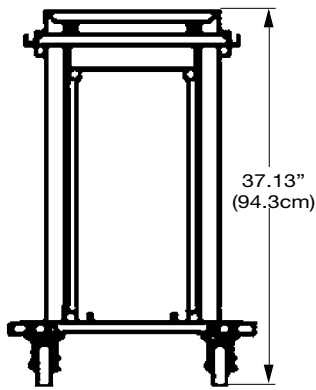
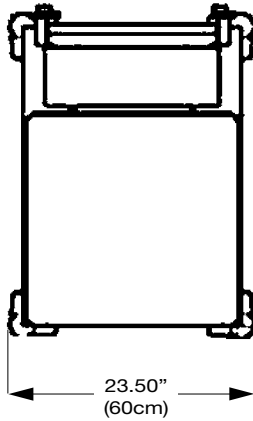
One year parts and labor.

DINEX®

Building 2, Suite 106
628 Hebron Avenue
Glastonbury, CT 06033
800.523.9752 Fax: 860.652.3135
www.dinex.com

036-REV 10/09

CANTILEVER STYLE RACK DISPENSERS



Items and Dimensions

ITEM NUMBER	MODEL NUMBER	LENGTH	DEPTH	HEIGHT	CASTERS		RACK SIZE	SHIP WEIGHT	SHIP CUBE
					TYPE	DIA.			
DXIDRC1020	IDRC/1020	23.50" (60cm)	23.25" (59.1cm)	37.13" (94.3cm)	4 Swivel 2 w/brakes	5"	10" x 20" (25cm x 51cm)	176 lb. (79.9kg)	9.2
DXIDRC2020	IDRC/2020	23.50" (60cm)	31.25" (79.4cm)	37.13" (94.3cm)	4 Swivel 2 w/brakes	5"	20" x 20" (51cm x 51cm)	179 lb. (81.3kg)	17.5



Please confirm that you have the most current specification sheet by visiting www.dinex.com.
 Dinex® reserves the right to change specifications and product design without notice.
 Such revisions do not entitle the buyer to corresponding changes, improvements, additions or replacements for previously purchased equipment.

Printed in USA



Building 2, Suite 106
 628 Hebron Avenue
 Glastonbury, CT 06033
 800.523.9752 Fax: 860.652.3135
www.dinex.com

036-REV 10/09