

MEALS ON COMMAND RETRIEVAL CART

Item Numbers

DXMOC20RC



Application

The Dinex Meals On Command Retrieval Cart is designed for retrieving trays after use. The all stainless steel cart features fixed tray slides (2 trays per slide) with 3-3/4" spacing. This cart is designed for the DX1089MOC23 tray.

Construction

The Dinex carts are fabricated with 1" square tubing frame with welded 16-gauge pre-formed side panels/trays slides. The top, bottom and single panel door shall be of 18-gauge stainless steel. The door comes standard with a recessed door pull and features magnets and transport latch to keep the door closed. The door has a 270 degree door swing with magnets to keep the door in an opened position.

Casters: Dinex exclusive silent soft tread 4-5" diameter casters 2-fixed 2-swivel with brakes.

Standard Features

- All stainless steel
- Pull type door handle
- Transport latch and magnets
- Small footprint
- Accommodates the DX1089MOC23 tray
- Dinex exclusive silent soft tread casters

Options

- Corner bumpers
- Wrap-around bumper
- Push Handle
- Top Rail options

Warranty

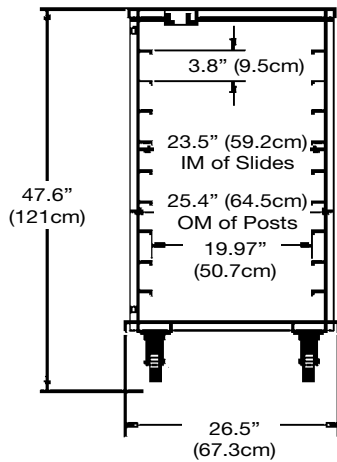
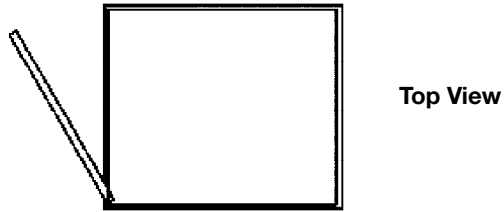
One year parts and labor.

DINEX®

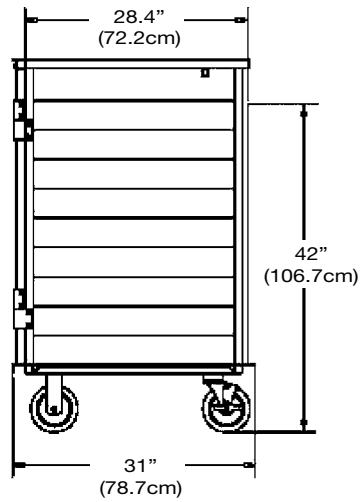
Building 2, Suite 106
628 Hebron Avenue
Glastonbury, CT 06033
800.523.9752 Fax: 860.652.3135
www.dinex.com

147-REV 10/09

MEALS ON COMMAND RETRIEVAL CART



Front View



Side View



Items and Dimensions

ITEM NUMBER	MODEL NUMBER	LENGTH	DEPTH	HEIGHT	SHIP WEIGHT	SHIP CUBE
DXMOC20RC	MOC20RC	26.5" (67.3cm)	31" (78.7cm)	47.625" (121cm)	269 lb. (134kg)	38.5



Please confirm that you have the most current specification sheet by visiting www.dinex.com.
Dinex® reserves the right to change specifications and product design without notice.
Such revisions do not entitle the buyer to corresponding changes, improvements, additions or replacements for previously purchased equipment.

Printed in USA



Building 2, Suite 106
628 Hebron Avenue
Glastonbury, CT 06033
800.523.9752 Fax: 860.652.3135
www.dinex.com

147-REV 10/09