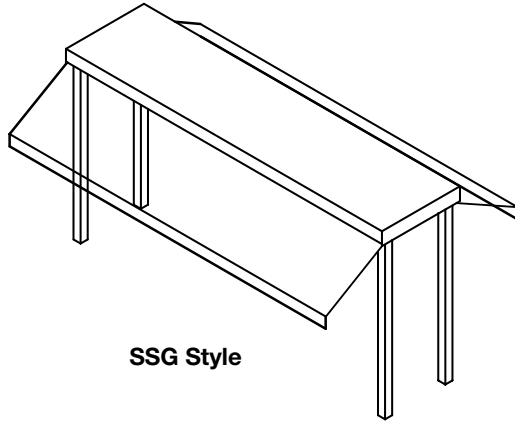


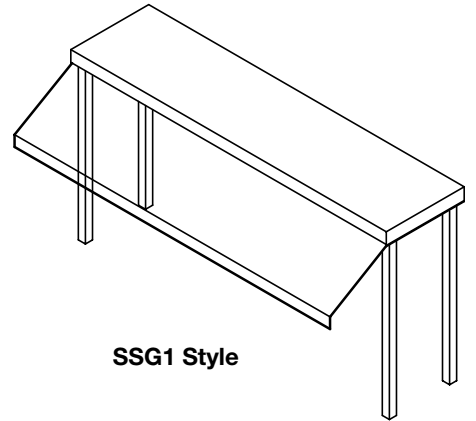
PROTECTOR GUARDS AND OVERSHELVES

DineXpress®

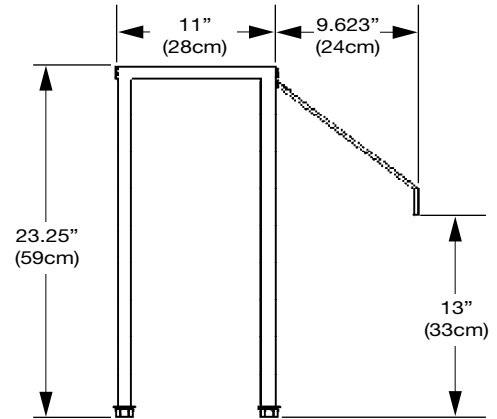
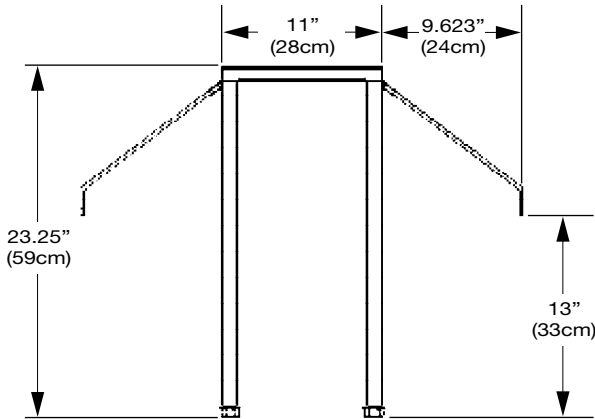
Self Serve Protector Guards



SSG Style



SSG1 Style



ITEM NUMBER	MODEL NUMBER	LENGTH
DXSSG2	SSG/2	33" (84cm)
DXSSG3	SSG/3	47" (119cm)
DXSSG4	SSG/4	61" (155cm)
DXSSG5	SSG/5	75" (191cm)
DXSSG6	SSG/6	89" (226cm)



ITEM NUMBER	MODEL NUMBER	LENGTH
DXSSG12	SSG1/2	33" (84cm)
DXSSG13	SSG1/3	47" (119cm)
DXSSG14	SSG1/4	61" (155cm)
DXSSG15	SSG1/5	75" (191cm)
DXSSG16	SSG1/6	89" (226cm)

Specification:

Self Serve protector guards are constructed as follows. Top shelf is constructed of 16 gauge stainless steel and enforced with 16 gauge stainless steel support channels. The upright legs are constructed of 16 gauge 1" square stainless steel and fitted with a stainless steel threaded mounting fitting. Guards are made of 1/4" thick polycarbonate and are located and sized to meet NSF standards.

Warranty

One year parts and labor.

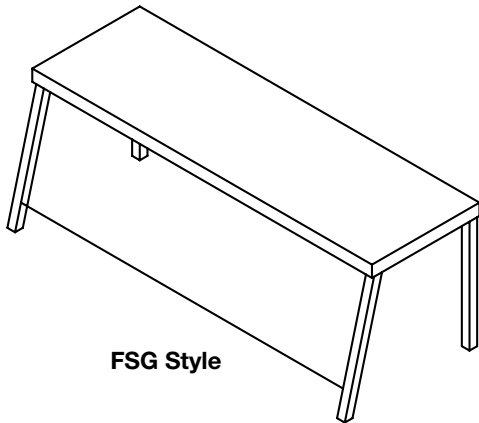
DINEX®

Building 2, Suite 106
 628 Hebron Avenue
 Glastonbury, CT 06033
 800.523.9752 Fax: 860.652.3135
 www.dinex.com

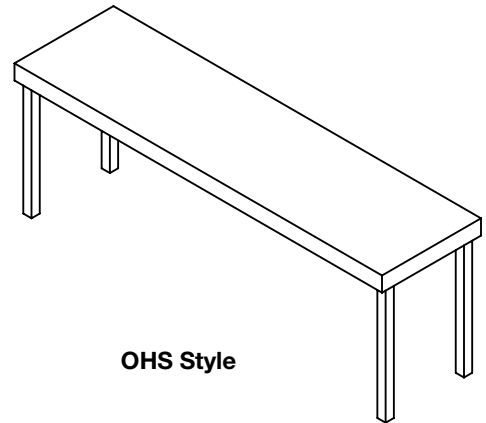
PROTECTOR GUARDS AND OVERSHELVES



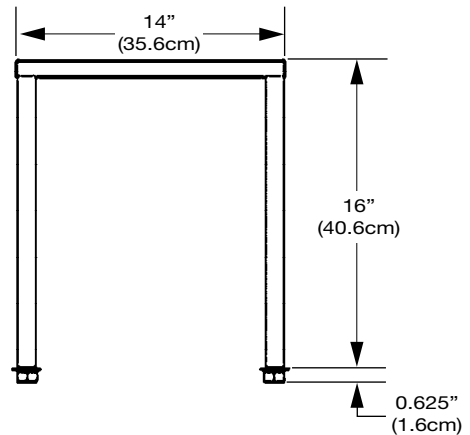
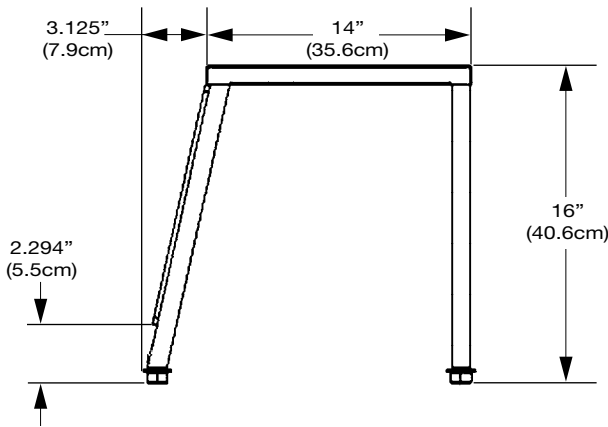
Full Service Protector Guards And Over Shelves



FSG Style



OHS Style



ITEM NUMBER	MODEL NUMBER	LENGTH
DXFSG2	FSG/2	33" (84cm)
DXFSG3	FSG/3	47" (119cm)
DXFSG4	FSG/4	61" (155cm)
DXFSG5	FSG/5	75" (191cm)
DXFSG6	FSG/6	89" (226cm)



ITEM NUMBER	MODEL NUMBER	LENGTH
DXOHS2	OHS/2	33" (84cm)
DXOHS3	OHS/3	47" (119cm)
DXOHS4	OHS/4	61" (155cm)
DXOHS5	OHS/5	75" (191cm)
DXOHS6	OHS/6	89" (226cm)

Specification:

Full Service protector guards and over head shelves are constructed as follows. Top shelf is constructed of 16 gauge stainless steel and enforced with 16 gauge stainless steel support channels. The uprights legs are constructed of 16 gauge 1" square stainless steel and fitted with a stainless steel threaded mounting fitting. Full Service Guards are made of 1/4" thick polycarbonate and are located and sized to meet NSF standards.

Warranty

One year parts and labor.



Please confirm that you have the most current specification sheet by visiting www.dinex.com. Dinex® reserves the right to change specifications and product design without notice. Such revisions do not entitle the buyer to corresponding changes, improvements, additions or replacements for previously purchased equipment.

Printed in USA



Building 2, Suite 106
628 Hebron Avenue
Glastonbury, CT 06033
800.523.9752 Fax: 860.652.3135
www.dinex.com

410-REV 10/09