



Outperform every day.™

**Project:**  
**Item Number:**  
**Quantity:**

## TWO WELL HOT MODULES



### DESCRIPTION

The modular drop-in is designed for top-mount installation and does not require hard-wiring.

Full-perimeter drip-edge contains spills and condensation within the stainless steel countertop area of the drop-in. Drip-edge adds additional strength to the flange area.

Drop-in meets NSF4 performance standards only when using moist heat. Operation with water is required for even heating of the food product.

High-density glass-fiber insulation allows zero-clearance installation.

Stainless steel wells allow use of full-size and fractional pans up to 6" (15.2 cm) deep while still providing moist heat. Adaptor bars are recommended when using fractional pans.

### Agency Listings



Due to continued product improvement, please consult [www.vollrath.com](http://www.vollrath.com) for current product specifications.

Item Numbers			Description	
Standard	Manifold	Manifold w/ Auto-Fill	Control	Voltage
<b>1000 Watts Per Well</b>				
3639901	3639951	3639961	Infinite	120
3639911	3639971	3639981	Thermostatic	
3640001	3640051	3640061	Infinite	208-240
3640011	3640071	3640081	Thermostatic	
<b>625 Watts Per Well</b>				
36399	3639950	3639960	Infinite	120
3639910	3639970	3639980	Thermostatic	
36400	3640050	3640060	Infinite	208
3640010	3640070	3640080	Thermostatic	
36472	3647250	3647260	Infinite	240
3647210	3647270	3647280	Thermostatic	

### FEATURES

- Top is 18-gauge stainless steel
- Breaker gasket included for installation under drip-edge
- Flat work surface around opening
- Deep drawn well is 20-gauge stainless steel
- Power indicator light
- Standard drain is ½" (1.3 cm) stainless steel fitting welded to pan with ball valve shutoff below exterior housing
- Manifold drain option is 1" (2.5 cm) copper tubing and retains individual well shut-off and adds manifold shutoff.
- Auto-fill eliminates the need to monitor wells and add water, reducing operating and labor costs. Attaches easily to manifold drain assembly using simple tools. The check valve/siphon prevents cross contamination of drain and potable water lines. Requires separate electrical service. See Auto-fill specification sheet for details.
- Unit insulated on sides, between wells, and below element assembly with high-density glass fiber insulation.
- Exterior housing is 20-gauge galvanized steel
- 6 ft (182.2 cm) cord with plug
- Stainless control panel has 3 ft (91.4 cm) teethered flexible rubber cord. Shipped connected to drop-in, but may also be remotely mounted.
- Positioning clips provided to center drop-in within cutout
- Standard mounting clips adjustable for up to 3" (7.6 cm) thick counters
- One-year parts and labor warranty

### ACCESSORIES

- Sheet pan adapter available. Item No. 19186.

**WARRANTY:** All models shown come with Vollrath's standard warranty against defects in materials and workmanship. For full warranty details, please refer to [www.Vollrath.com](http://www.Vollrath.com).

Approvals	Date



Outperform every day.™  
[www.vollrath.com](http://www.vollrath.com)

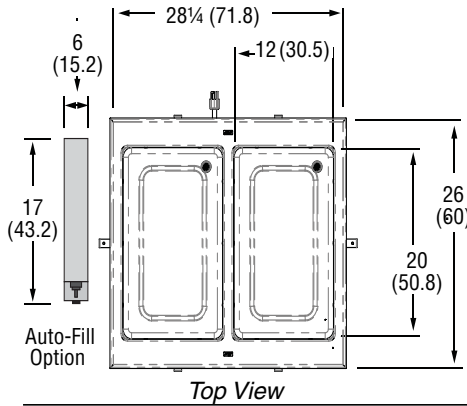
The Vollrath Company, L.L.C.  
1236 North 18th Street  
Sheboygan, WI 53081-3201 U.S.A.  
Customer Service: 800.628.0830  
Canada Customer Service: 800.695.8560  
Main Fax: 800.752.5620 or 920.459.6573

Technical Services: 800.628.0832  
Technical Services Fax: 920.459.5462

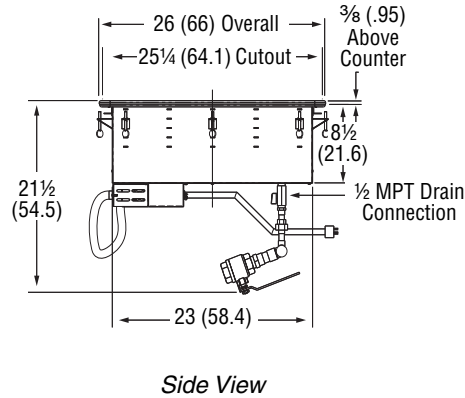
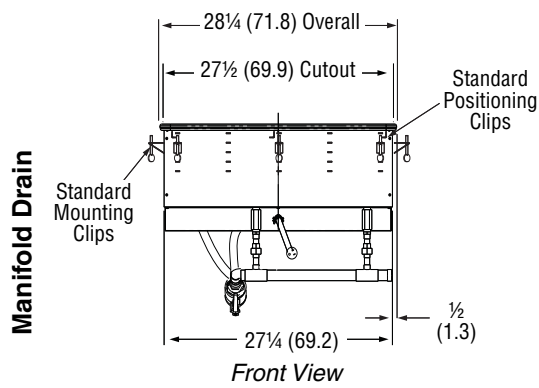
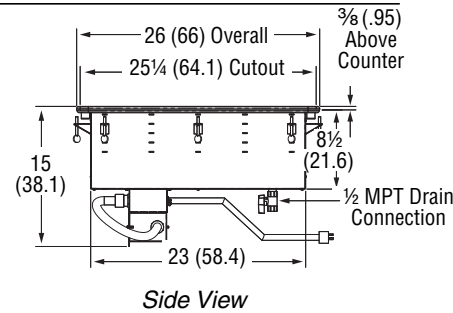
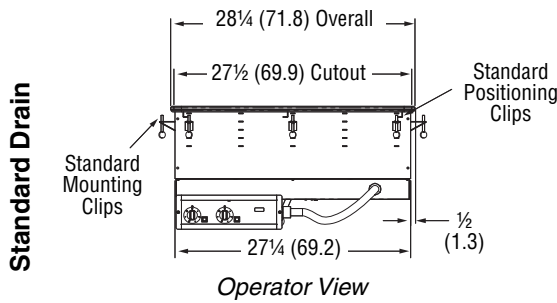
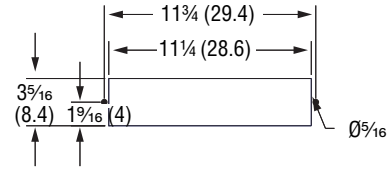
# TWO WELL HOT MODULES

## DIMENSIONS (Shown in inches (cm))

**Note:** Cutout must have a 7/8" (2.2 cm) corner radius



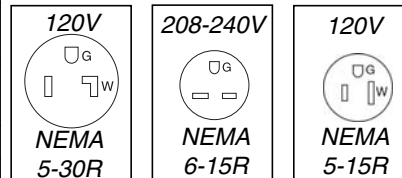
### Control Panel Cutout



## ELECTRICAL SPECIFICATIONS

Standard	Manifold	Manifold w/ Auto-Fill	Control	Voltage	Amps	Plug
<b>1000 Watts Per Well</b>						
3639901	3639951	3639961	Infinite	120	16.7	NEMA 5-30P
3639911	3639971	3639981	Thermostatic			
3640001	3640051	3640061	Infinite	208-240	7.2-8.3	NEMA 6-15P
3640011	3640071	3640081	Thermostatic			
<b>625 Watts Per Well</b>						
36399	3639950	3639960	Infinite	120	10.4	NEMA 5-15P
3639910	3639970	3639980	Thermostatic			
36400	3640050	3640060	Infinite	208	6.0	NEMA 6-15P
3640010	3640070	3640080	Thermostatic			
36472	3647250	3647260	Infinite	240	5.2	NEMA 6-15P
3647210	3647270	3647280	Thermostatic			

### Receptacles



Outperform every day.™

[www.vollrath.com](http://www.vollrath.com)

The Vollrath Company, L.L.C.  
 1236 North 18th Street  
 Sheboygan, WI 53081-3201 U.S.A.  
 Customer Service: 800.628.0830  
 Canada Customer Service: 800.695.8560  
 Main Fax: 800.752.5620 or 920.459.6573

Technical Services: 800.628.0832  
 Technical Services Fax: 920.459.5462