



Outperform every day.™

Project:
Item Number:
Quantity:

THREE WELL HOT MODULES



Three Well Hot Modules

DESCRIPTION

The modular drop-in is designed for top-mount installation and does not require hard-wiring.

Full-perimeter drip-edge contains spills and condensation within the stainless steel countertop area of the drop-in. Drip-edge adds additional strength to the flange area.

Drop-in meets NSF4 performance standards only when using moist heat. Operation with water is required for even heating of the food product.

High-density glass-fiber insulation allows zero-clearance installation.

Stainless steel wells allow use of full-size and fractional pans up to 6" (15.2 cm) deep while still providing moist heat. Adaptor bars are recommended when using fractional pans.

Agency Listings



Due to continued product improvement, please consult www.vollrath.com for current product specifications.

Item Numbers			Description	
Standard	Manifold	Manifold w/ Auto-Fill	Control	Voltage
1000 Watts Per Well				
3640401	3640451	3640461	Infinite	120
3640411	3640471	3640481	Thermostatic	
3640501	3640551	3640561	Infinite	208-240
3640511	3640571	3640581	Thermostatic	
625 Watts Per Well				
36404	3640450	3640460	Infinite	120
3640410	3640470	3640480	Thermostatic	
36405	3640550	3640560	Infinite	208
3640510	3640570	3640580	Thermostatic	
36473	3647350	3647360	Infinite	240
3647310	3647370	3647380	Thermostatic	

FEATURES

- Top is 18-gauge stainless steel
- Breaker gasket included for installation under drip-edge
- Flat work surface around opening
- Deep drawn well is 20-gauge stainless steel
- Power indicator light
- Standard drain is ½" (1.3 cm) stainless steel fitting welded to pan with ball valve shutoff below exterior housing
- Manifold drain option is 1" (2.5 cm) copper tubing and retains individual well shut-off and adds manifold shutoff.
- Auto-fill eliminates the need to monitor wells and add water, reducing operating and labor costs. Attaches easily to manifold drain assembly using simple tools. The check valve/siphon prevents cross contamination of drain and potable water lines. Requires separate electrical service. See Auto-fill specification sheet for details.
- Unit insulated on sides, between wells, and below element assembly with high-density glass fiber insulation.
- Exterior housing is 20-gauge galvanized steel
- 6 ft (182.2 cm) cord with plug
- Stainless control panel has 3 ft (91.4 cm) teethered flexible rubber cord. Shipped connected to drop-in, but may also be remotely mounted.
- Positioning clips provided to center drop-in within cutout
- Standard mounting clips adjustable for up to 3" (7.6 cm) thick counters
- One-year parts and labor warranty

ACCESSORIES

- Sheet pan adapter available. Item No. 19186.

WARRANTY: All models shown come with Vollrath's standard warranty against defects in materials and workmanship. For full warranty details, please refer to www.Vollrath.com.

Approvals	Date



Outperform every day.™
www.vollrath.com

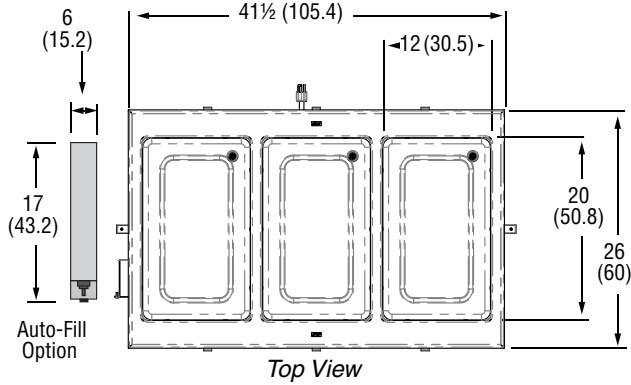
The Vollrath Company, L.L.C.
1236 North 18th Street
Sheboygan, WI 53081-3201 U.S.A.
Customer Service: 800.628.0830
Canada Customer Service: 800.695.8560
Main Fax: 800.752.5620 or 920.459.6573

Technical Services: 800.628.0832
Technical Services Fax: 920.459.5462

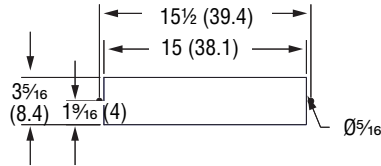
THREE WELL HOT MODULES

DIMENSIONS (Shown in inches (cm))

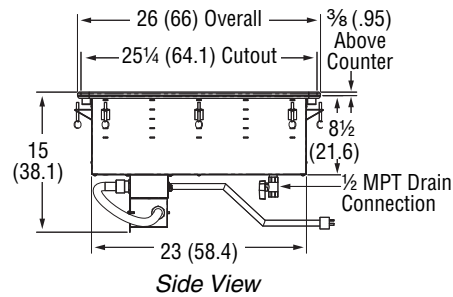
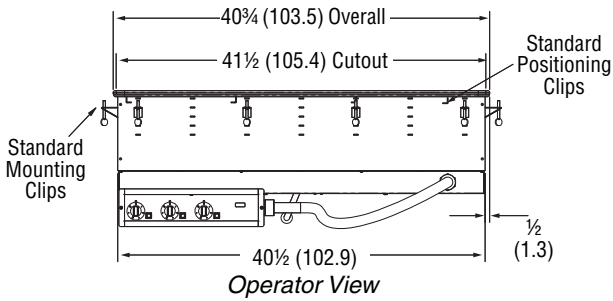
Note: Cutout must have a 7/8" (2.2 cm) corner radius



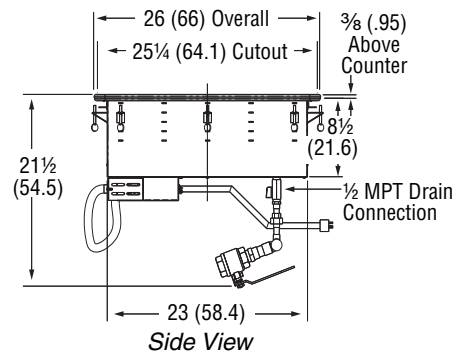
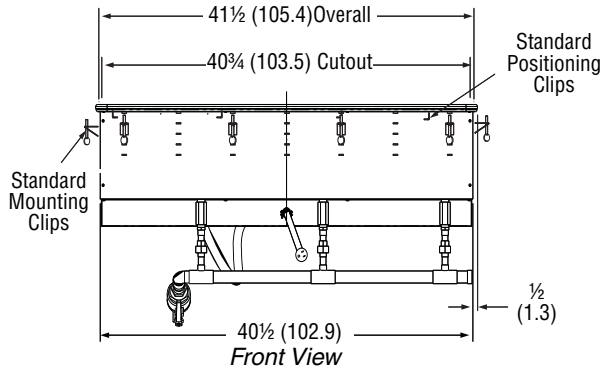
Control Panel Cutout



Standard Drain



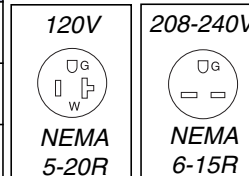
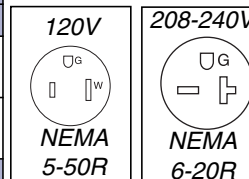
Manifold Drain



ELECTRICAL SPECIFICATIONS

Standard	Manifold	Manifold w/ Auto-Fill	Control	Voltage	Amps	Plug
1000 Watts Per Well						
3640401	3640451	3640461	Infinite	120	25	NEMA 5-50P
3640411	3640471	3640481	Thermostatic			
3640501	3640551	3640561	Infinite	208-240	10.8-12.5	NEMA 6-20P
3640511	3640571	3640581	Thermostatic			
625 Watts Per Well						
36404	3640450	3640460	Infinite	120	15.6	NEMA 5-20P
3640410	3640470	3640480	Thermostatic			
36405	3640550	3640560	Infinite	208	9.0	NEMA 6-15P
3640510	3640570	3640580	Thermostatic			
36473	3647350	3647360	Infinite	240	7.8	NEMA 6-15P
3647310	3647370	3647380	Thermostatic			

Receptacles



Outperform every day.™

www.vollrath.com

The Vollrath Company, L.L.C.
 1236 North 18th Street
 Sheboygan, WI 53081-3201 U.S.A.
 Customer Service: 800.628.0830
 Canada Customer Service: 800.695.8560
 Main Fax: 800.752.5620 or 920.459.6573

Technical Services: 800.628.0832
 Technical Services Fax: 920.459.5462