



**Project:**

**Item Number:**

**Quantity:**

**Short Side Hot Drop-ins**



*Short Side Drop-In: Three Well Hot*

**DESCRIPTION**

The modular drop-in is designed for top-mount installation and does not require hard-wiring. The drop-in comes complete with a 6-ft. (182.8 cm) power cord with plug and a 4-ft. (121.9 cm) control cord for remote installation.

Full-perimeter drip-edge contains spills and condensation within the stainless steel countertop area of the drop-in. Drip-edge adds additional strength to the flange area.

Drop-in can operate wet or dry, however, moist operation is recommended for even heating of the food product. Meets NSF4 performance standards when using moist heat.

High-density glass-fiber insulation allows zero-clearance installation and use of 625W elements for lower energy consumption and reduced costs. Also available with 750 - 1000W elements.

Stainless steel wells are 6 $\frac{3}{8}$ " (16.19 cm) deep to allow use of full-size and fractional pans up to 6" (15.24 cm) deep while still providing moist heat. Adaptor bars are recommended when using fractional pans.

**FEATURES**

- Top is 18-gauge stainless steel, with  $\frac{3}{8}$ " (9.52 mm) overhang on all sides and die-stamped with full-perimeter drip-edge, and 19 $\frac{7}{8}$ " x 11 $\frac{7}{8}$ " (50.48 x 30.16 cm) openings.
- Breaker gasket included for installation under drip-edge.
- Flat work surface around opening.
- Deep drawn well is 20-gauge stainless steel, 6 $\frac{3}{8}$ " (16.19 cm) deep.
- Standard 750 - 1000W or 625W heating elements.
- Infinite or thermostatic control.

**MODELS**

750 - 1000W Per Well				625W Per Well				Control	Drain
Item	Voltage	Amps	Plug	Item	V	Amps	Plug		
<b>Two Well</b>									
36646	208-240	7.2 - 8.3	6-15P	36640	120	10.4	5-15P	Thermostatic	Standard
3664620	208-240	7.2 - 8.3	6-15P	3664020	120	10.4	5-15P	Thermostatic	Manifold
3664630	208-240	7.2 - 8.3	6-15P	3664030	120	10.4	5-15P	Thermostatic	Manifold & Autofill
36647	208-240	7.2 - 8.3	6-15P	36641	120	10.4	5-15P	Infinite	Standard
3664720	208-240	7.2 - 8.3	6-15P	3664120	120	10.4	5-15P	Infinite	Manifold
3664730	208-240	7.2 - 8.3	6-15P	3664130	120	10.4	5-15P	Infinite	Manifold & Autofill
<b>Three Well</b>									
36648	208-240	10.8 - 12.5	6-20P	36642	120	15.6	5-20P	Thermostatic	Standard
3664820	208-240	10.8 - 12.5	6-20P	3664220	120	15.6	5-20P	Thermostatic	Manifold
3664830	208-240	10.8 - 12.5	6-20P	3664230	120	15.6	5-20P	Thermostatic	Manifold & Autofill
36649	208-240	10.8 - 12.5	6-20P	36643	120	15.6	5-20P	Infinite	Standard
3664920	208-240	10.8 - 12.5	6-20P	3664320	120	15.6	5-20P	Infinite	Manifold
3664930	208-240	10.8 - 12.5	6-20P	3664330	120	15.6	5-20P	Infinite	Manifold & Autofill
<b>Four Well</b>									
36650	208-240	14.4 - 16.7	6-30P	36644	120	20.8	5-30P	Thermostatic	Standard
3665020	208-240	14.4 - 16.7	6-30P	3664420	120	20.8	5-30P	Thermostatic	Manifold
3665030	208-240	14.4 - 16.7	6-30P	3664430	120	20.8	5-30P	Thermostatic	Manifold & Autofill
36651	208-240	14.4 - 16.7	6-30P	36645	120	20.8	5-30P	Infinite	Standard
3665120	208-240	14.4 - 16.7	6-30P	3664520	120	20.8	5-30P	Infinite	Manifold
3665130	208-240	14.4 - 16.7	6-30P	3664530	120	20.8	5-30P	Infinite	Manifold & Autofill

**FEATURES (CONTINUED)**

- Power indicator light.
- Standard drain is  $\frac{1}{2}$ " (1.27 cm) stainless steel fitting welded to pan with ball valve shutoff below exterior housing.
- Manifold drain option is 1" (2.54 cm) copper tubing and retains individual well shut-off and adds manifold shutoff.
- Unit insulated on sides, between wells, and below element assembly with high-density glass fiber insulation.
- Exterior housing is 20-gauge galvanized steel.
- Drop-in is supplied with stainless steel control panel connected to bottom of unit for shipping.
- Control panel may remain on unit or be remote mounted.
- Control wires contained in flexible rubber cord.
- Unit comes with cord and plug and does not require hard-wiring installation.
- Positioning clips provided to center drop-in within cutout.
- Standard mounting clips adjustable for up to 3" (7.62 cm) thick counters.
- Full one-year parts and labor warranty.

**Agency Certifications**



<b>Approvals</b>	<b>Date:</b>



Setting the Standard™

www.vollrathco.com

The Vollrath Company, L.L.C.  
 1236 North 18th Street  
 Sheboygan, WI 53081-3201  
 U.S.A.  
 Main Tel: 800.628-0830  
 Service Tel: 800.628.0832  
 FAX: 800.752.5620

Vollrath of Canada, Co.  
 Tel: 800.695.8560  
 FAX: 800.752.5620

## Short Side Hot Drop-ins

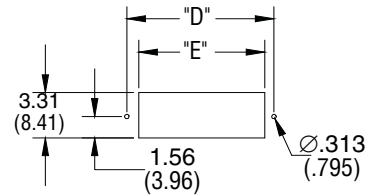
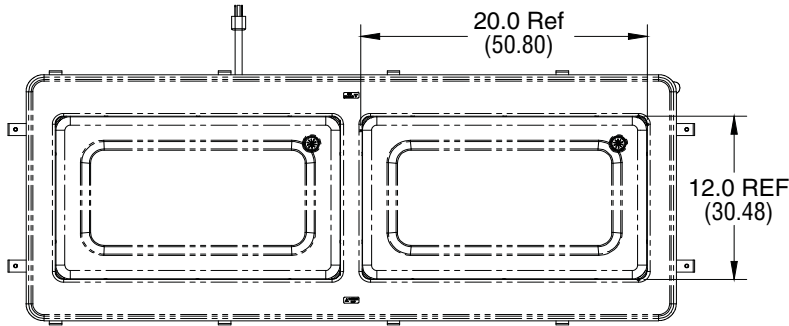
### AUTO-FILL OPTION

Field-installed option that efficiently maintains a constant water level. Eliminates the need to monitor wells and add water, reducing operating and labor costs. Attaches easily to manifold drain assembly using simple tools. The check valve/siphon prevents cross contamination of drain and potable water lines.

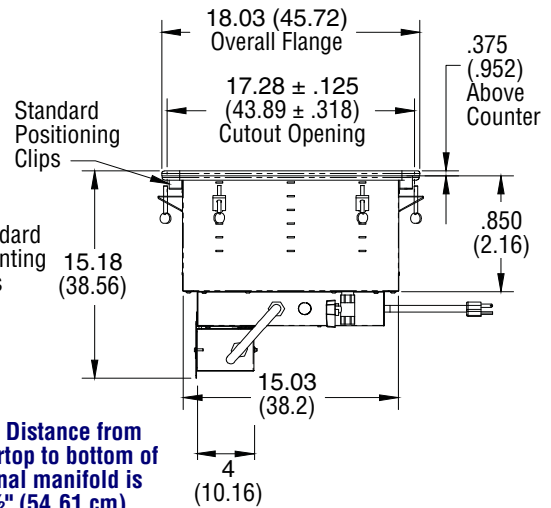
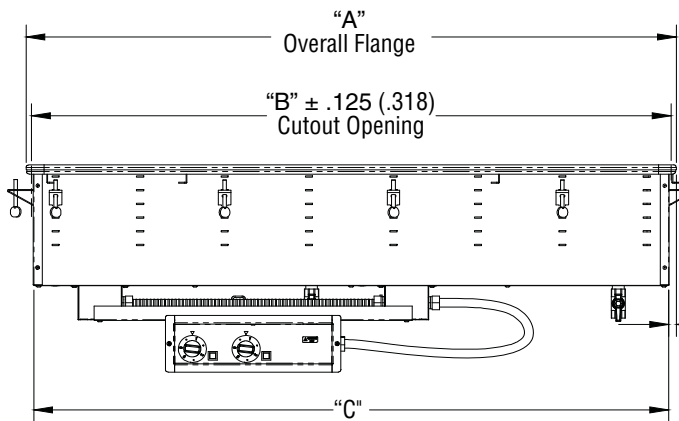
### DIMENSIONS

Dimensions shown in inches (centimeters).

**Note: Opening cutout must have a .875 (2.2 cm) radius at four corners**

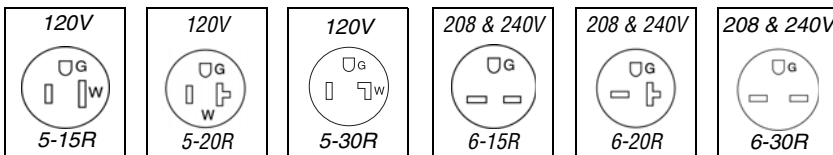


**Control Panel Cutout**  
**+ .063/-0 (+.160/-0) Tolerance**



Drop-in	"A"	"B"	"C"	"D"	"E"
2 Well	45.42 (114.60)	44.67 (113.46)	44.35 (112.65)	11.75 (29.85)	11.25 (28.58)
3 Well	66.84 (169.77)	66.09 (167.87)	65.77 (167.06)	15.50 (39.37)	15.00 (38.1)
4 Well	88.57 (224.97)	87.52 (222.30)	87.19 (221.46)	19.25 (48.90)	18.75 (47.63)

### RECEPTACLES



www.vollrathco.com

The Vollrath Company, L.L.C.  
1236 North 18th Street  
Sheboygan, WI 53081-3201  
U.S.A.  
Main Tel: 800.628-0830  
Service Tel: 800.628.0832  
FAX: 800.752.5620

Vollrath of Canada, Co.  
Tel: 800.695.8560  
FAX: 800.752.5620