



Outperform every day.™

Project:
Item Number:
Quantity:

Affordable Portable™ Hot Food Stations

The Vollrath Company, L.L.C.

AFFORDABLE PORTABLE™ HOT FOOD STATIONS



Affordable Portable™ Four Well Hot Food Station with Buffet Breath Guard

DESCRIPTION & FEATURES

- Constructed of vinyl-clad, 20-gauge carbon steel.
- Each well supplied with 120V, 525W exposed heating element.
- High-density glass fiber insulation.
- Infinite control rotary knob.
- Standard buffet or NSF2 cafeteria style acrylic breath guard.
- Available in seven versatile colors.
- Countertops are manufactured from 20-gauge stainless steel.
- Two locking casters.
- Spillage pans required. Order separately.
- 8 ft. cord with plug.
- **Affordable Portable™ orders cannot be canceled or returned.**

Lighting Option

- Factory-installed option
- Requires Buffet breath guard
- 120V
- Bulbs not included

WARRANTY

All models shown come with Vollrath's standard warranty against defects in materials and workmanship. For full warranty details, please refer to www.Vollrath.com.

ITEMS

Description	Black	Walnut Woodgrain	Cherry Woodgrain	Granite	White	American Natural	Brushed Aluminum
3 Well Standard Buffet Breath Guard Hot Food Station – 120V							
Solid Base ¹	38707	38935	38767	38727	38727W	38727N	38727A
Solid Base w/ Lights ²	3870746	3893546	3876746	3872746	3872746W	3872746N	3872746A
Open Storage Base ¹	38708	38936	38768	38728	38728W	38728N	38728A
Open Storage w/ Lights ²	3870846	3893646	3876846	3872846	3872846W	3872846N	3872846A
Storage Base w/ Door ¹	38709	38937	38769	38729	38729W	38729N	38729A
Storage w/ Door, w/Lights ²	3870946	3893746	3876946	3872946	3872946W	3872946N	3872946A
3 Well NSF2 Cafeteria Breath Guard Hot Food Station – 120V							
Solid Base ¹	39707	39935	39767	39727	39727W	39727N	39727A
Open Storage Base ¹	39708	39936	39768	39728	39728W	39728N	39728A
Storage Base w/ Door ¹	39709	39937	39769	39729	39729W	39729N	39729A
4 Well Standard Buffet Breath Guard Hot Food Station – 120V							
Solid Base ¹	38710	38945	38770	38730	38730W	38730N	38730A
Solid Base w/ Lights ²	3871060	3894560	3877060	3873060	3873060W	3873060N	3873060A
Open Storage Base ¹	38711	38946	38771	38731	38731W	38731N	38731A
Open Storage w/ Lights ²	3871160	3894660	3877160	3873160	3873160W	3873160N	3873160A
Storage Base w/ Door ¹	38712	38947	38772	38732	38732W	38732N	38732A
Storage w/ Door, w/ Lights ²	3871260	3894760	3877260	3873260	3873260W	3873260N	3873260A
4 Well NSF2 Cafeteria Breath Guard Hot Food Station – 120V							
Solid Base ¹	39710	39945	39770	39730	39730W	39730N	39730A
Open Storage Base ¹	39711	39948	39771	39731	39731W	39731N	39731A
Storage Base w/ Door ¹	39712	39947	39772	39732	39732W	39732N	39732A

¹ For 208-240V without lights, add 2 to the item number.
² For 120/208 and 120/240V with lights, add 4 to the item number.
Due to continued product improvement, please consult www.vollrath.com for current product specifications.

Approvals	Date



Outperform every day.™

www.vollrath.com

The Vollrath Company, L.L.C.

1236 North 18th Street
Sheboygan, WI 53081-3201 U.S.A.
Main Tel: 800.624.2051 or 920.457.4851
Main Fax: 800.752.5620 or 920.459.6573
Customer Service: 800.628.0830
Canada Customer Service: 800.695.8560

Technical Services
techservicereps@vollrathco.com
Induction Products: 800.825.6036
Countertop Warming Products: 800.354.1970
All Other Products: 800.628.0832

AFFORDABLE PORTABLE™ HOT FOOD STATIONS

ACCESSORIES AND ADD-ONS

Tray Slides

- 39924 Fits 24" (61 cm)
- 39946 Fits 46" (117 cm)
- 39960 Fits 60" (152 cm)



- 300 Series stainless steel
- Fold-down mounting brackets
- 11" (27.9) tray area
- 11½" (29.2) depth
- Adds 5½" (14 cm) to depth in folded position
- Add NF in front of the item number for non-folding mode

Cutting Boards

- 39824 Fits 24" (61 cm)
- 39846 Fits 46" (117 cm)
- 39860 Fits 60" (152 cm)



- Polyethylene
- Fold-down mounting brackets
- 7" (17.8 cm) depth
- Add 4" (10.2 cm) to depth in folded position

Infrared Lamp Bulbs

- 72242 White, 250W, 1 Dozen
- 72241 Red, 250W, 1 Dozen

Plate Rests

- 38992 Fits 24" (61 cm)
- 38993 Fits 46" (117 cm)
- 38994 Fits 60" (152 cm)



- Stainless steel
- Fold-down mounting brackets
- 7" (17.8 cm) depth
- Adds 4½" (11.4 cm) to depth in folded position
- Add NF in front of the item number for non-folding model

ELECTRICAL SPECIFICATIONS

Description	Volts	Hz	Amps	Watts per Well	Electrical Service (A)	NEMA Plug
3-Well	120	60	13.1	525	20	5-20P
4-Well			17.5	525	30	5-30P
3-Well	208-240	60	8.8	700	15	6-15P
4-Well			11.7	700	15	6-15P
3-Well with Lights*	120	60	19.4	525	30	5-30P
4-Well with Lights*			25.8	525	50	5-50P
3-Well with Lights*	120/208-240	60	13	700	20	14-20P
4-Well with Lights*			15.9	700	20	14-20P

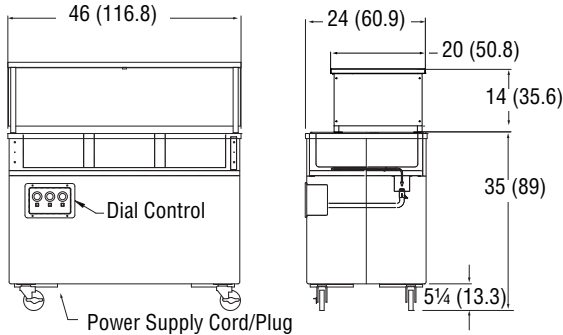
*Incandescent lamps (250W maximum per fixture)

RECEPTACLE CONFIGURATIONS

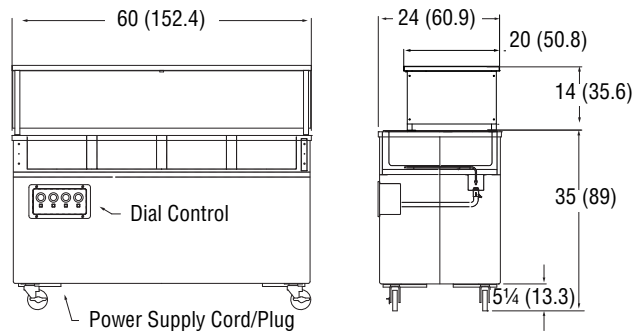
 120V NEMA 5-20R	 120V NEMA 5-30R	 208-240V NEMA 6-15R	 120V NEMA 5-50R	 120-240V NEMA 14-20R
------------------------	------------------------	----------------------------	------------------------	-----------------------------

DIMENSIONS (Shown in inches (cm))

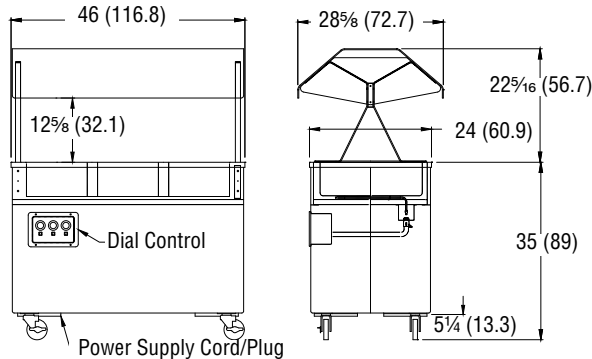
3 Well Hot Food Station with NSF2 Cafeteria Breath Guard



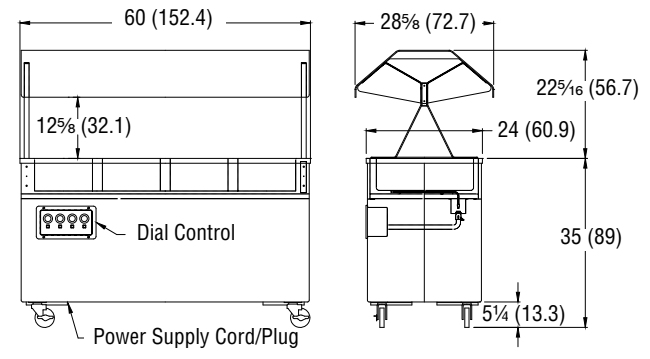
4 Well Hot Food Station with NSF2 Cafeteria Breath Guard



3 Well Hot Food Station with Standard Buffet Breath Guard



4 Well Hot Food Station with Standard Buffet Breath Guard



3 Well Storage Opening: 24 x 23 x 16½ (61 x 58 x 42)

4 Well Storage Opening: 36 x 23 x 16½ (91.52/7/17 x 58 x 42)



Outperform every day.™

www.vollrath.com

The Vollrath Company, L.L.C.

1236 North 18th Street
 Sheboygan, WI 53081-3201 U.S.A.
 Main Tel: 800.624.2051 or 920.457.4851
 Main Fax: 800.752.5620 or 920.459.6573
 Customer Service: 800.628.0830
 Canada Customer Service: 800.695.8560

Technical Services

techservicereps@vollrathco.com
 Induction Products: 800.825.6036
 Countertop Warming Products: 800.354.1970
 All Other Products: 800.628.0832