



SLICERS

ARGENTA SERIES • 9" / 10" / 12" • BELT DRIVEN



SLICER ARGENTA 9"



SLICER ARGENTA 10"



SLICER ARGENTA 12"

SLICERS ARGENTA

"Anvil's Argenta series is compact in design and is therefore ideal for smaller operations where space is at a premium."

APPLICATION

- IT IS IDEAL FOR DELIS, COFFEE SHOPS, SMALL RESTAURANTS AND SUB SHOPS
- IT IS IDEAL FOR VEGETABLES AND PROCESSED MEATS
- SUITABLE FOR CONTINUOUS USE
- NOT SUITED FOR RAW OR FROZEN MEAT

CONSTRUCTION

- BUILT OF TOP QUALITY ALUMINIUM
- SAFETY AND HYGIENE MEET THE NEEDS OF DEMANDING CUSTOMERS WORLDWIDE
- COMES STANDARD WITH BUILT-IN SHARPENING ASSEMBLY
- THE MOTOR IS SITUATED BEHIND THE BLADE ALLOWING FOR SMALLER CUTS

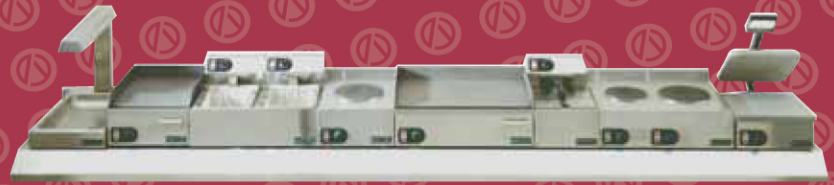
Anvil reserves the right, without notice, to make changes and revisions to product specifications, materials and design, which in our opinion, will provide better performance, durability and efficiency.



ALL ANVIL EQUIPMENT COMES WITH A ONE YEAR WARRANTY ON COMPONENTS AND DEFECTIVE WORKMANSHIP



ANVIL

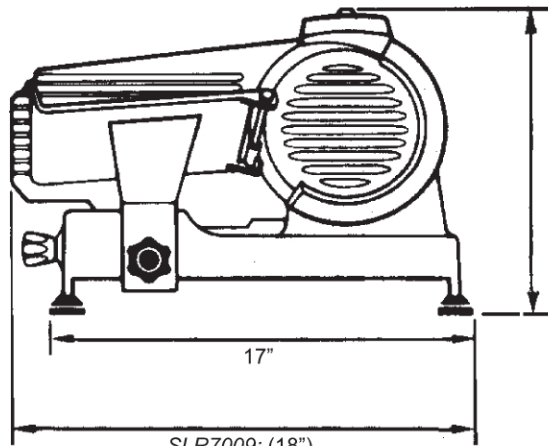


NOTE:

When viewing the appliance from the front in its usual operating position, the width (W) of the product is the total distance from left to right ; the depth (D) of the product is the total distance from front to back ; the height (H) is the total distance from the bottom of the product to the top

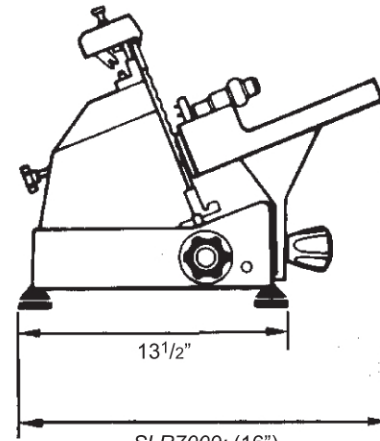
SLICERS ARGENTA

MODELS:
SLR7009
SLR7010
SLR7312



SLR7009: (18")
SLR7010: (21")
SLR7312: (22")

SLR7009: (15")
SLR7010: (15")
SLR7312: (16")



SLR7009: (16")
SLR7010: (17")
SLR7312: (20")



NEMA 5015P
110V

DESCRIPTION	SLICER ARGENTA 9"	SLICER ARGENTA 10"	SLICER ARGENTA 12"
MODELS	SLR7009	SLR7010	SLR7312
CUT CAPACITY (in)	7 1/2 x 5	8 x 6 1/2	9 x 7
MAX CUT THICKNESS (in)	9/16	9/16	9/16
BLADE DIAMETER (in)	9	10	12
VOLTAGE (V)	110	110	110
POWER (HP)	1/5	1/5	1/3
DIMENSIONS (in) (W x D x H)	16 x 18 x 15	17 x 21 x 15	20 x 22 x 16
BOX DIMNS (in) (W x D x H)	22 x 18 x 16	25 x 22 x 16	25 x 22 x 18

Note: Output performance figures quoted are dependant on various factors.

Manufactured by:
Scientific Engineering (Pty) Ltd
South Africa
Website: www.anvilworld.com



SLR_ANVIL_USA_01