



Outperform every day.™

Project:

Item Number:

Quantity:

Vacuum Packing Machine with 12" Sealing Bar

The Vollrath Company, L.L.C.

VACUUM PACKING MACHINE WITH 12" SEALING BAR



Vacuum Packing Machine with 12" Sealing Bar

DESCRIPTION

The Vollrath Vacuum Packing Machine with 12" Sealing Bar provides high-quality vacuum packing in a small footprint tabletop machine. The easy to use control panel enables users to set the vacuum time and seal time. Packing cycle begins when the lid is closed and ends when the lid automatically opens.

ITEMS

Item No.	Model No.	Description
40831	VP12	Vacuum Packing Machine with 12" Sealing Bar

FEATURES

- Busch rotary vacuum pump
- Stainless steel exterior
- Deep drawn stainless steel vacuum chamber with round corners
- Transparent, soft-open lid for monitoring functions
- Double seals for extra secure bags
- Accommodates bags up to 12" (30.5 cm) wide
- Sealing bar easily removes without tools for cleaning and maintenance
- Includes two insert plates for packing small products
- Maximum vacuum is 99.3% (3 m bar)
- User definable vacuum setting, up to 99 seconds
- User definable sealing time, up to 6 seconds
- Slow chamber decompression enables the bag to gently form to the product
- Pump Conditioning program removes moisture and debris from pump
- Two sealing cylinders provide optimal pressure to create high-quality seals
- Maintenance reminder
- Includes maintenance kit with oil, lid gasket, silicone bar, Teflon® tape and sealing wire
- 6 ft. (182.9 cm) cord with plug
- 2 year warranty

IMPORTANT

- Requires 6" (15 cm) clearance on all sides
- Requires a minimum clearance of 27" (68.6 cm) above the machine
- This machine is not designed for continuous use. Intended for maximum use of 5 hours per day.
- Requires 15 second rest between packing cycles.

Agency Certifications



Due to continued product improvement, please consult www.vollrathco.com for current product specifications.

WARRANTY: All models shown come with Vollrath's standard warranty against defects in materials and workmanship. For full warranty details, please refer to www.Vollrath.com.

Approvals	Date



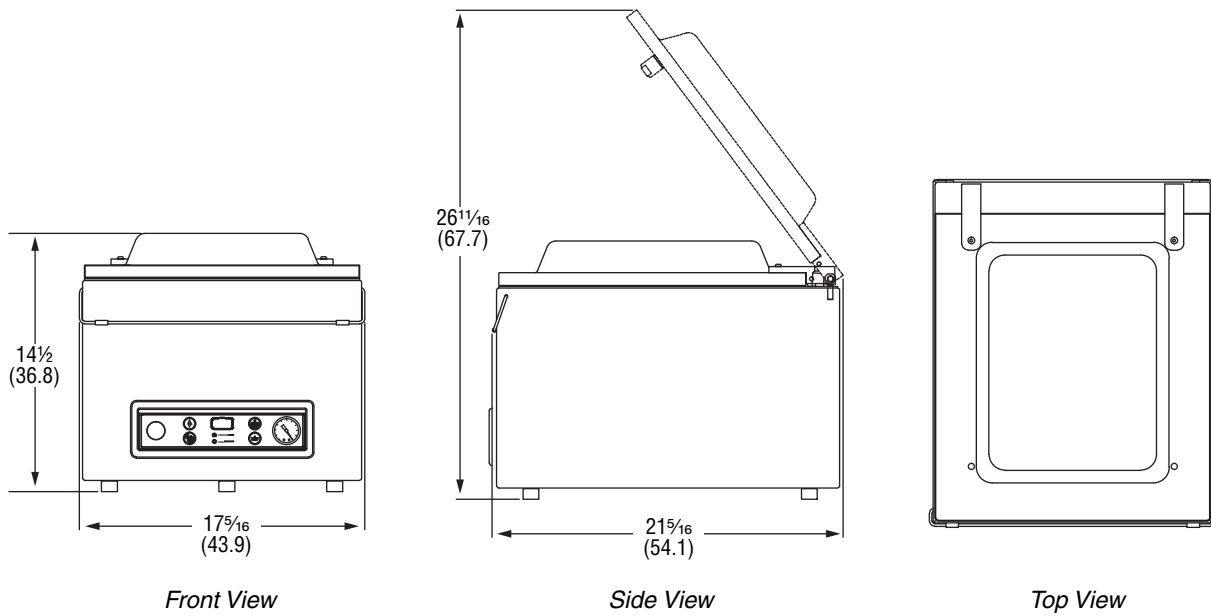
Outperform every day.™
www.vollrath.com

The Vollrath Company, L.L.C.
1236 North 18th Street
Sheboygan, WI 53081-3201 U.S.A.
Customer Service: 800.628.0830
Canada Customer Service: 800.695.8560
Main Fax: 800.752.5620 or 920.459.6573

Technical Services: 800.628.0832
Technical Services Fax: 920.459.5462

VACUUM PACKING MACHINE WITH 12" SEALING BAR

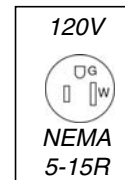
DIMENSIONS (Shown in inches (cm))



SPECIFICATIONS

Item No.	Dimensions IN (CM)		Volts	Amps	Hz	Pump Capacity	HP	Plug	Weight LB (KG)
	Chamber (W x D x H)	Maximum Product Height							
40831	$14\frac{1}{2} \times 17 \times 4$ (36.8 x 43.2 x 10.2)	6 (15.2)	120	8.5	60	10 m3/hr	0.64	NEMA 5-15P	77.2 (35)

Receptacle



Outperform every day.™

www.vollrath.com

The Vollrath Company, L.L.C.
1236 North 18th Street
Sheboygan, WI 53081-3201 U.S.A.
Customer Service: 800.628.0830
Canada Customer Service: 800.695.8560
Main Fax: 800.752.5620 or 920.459.6573

Technical Services: 800.628.0832
Technical Services Fax: 920.459.5462