



Project:

Item Number:

Quantity:

Induction Range: Heavy-Duty Drop-In

The Vollrath Company, L.L.C.

INDUCTION RANGE: HEAVY-DUTY DROP-IN



Model 69505/69521

Model 69508/69524



Induction Ranges: Intrigue™ Heavy-Duty Ultra and Professional Series Drop-In

MODELS:	69505	3.0 kW/3.5 kW @ 208V/240V
	69508	6.0 kW/7.0kW @ 208V/240V (Dual Hob 3.0/3.5 kW per Hob)
	69521	2.5 kW/2.9 kW @ 208/240V
	69524	5.0 kW/5.8 kW @ 208/240V (Dual Hob 2.5/2.9 kW per Hob)

FEATURES

- Multi-sensor solid-state controls with digital display.
- Firewall control protection.
- Dual commercial high-flow fans for extra durability.
- High performance with smooth power control from 1% to 100% of output power. 69521 and 69524 feature temperature settings as well.
- High energy efficiency 90%+ from power source to pan.
- Push button controls for easy cleaning.
- Heating function for adjustable power settings.
- Rubber feet to prevent slipping of appliance.
- Unit comes with cord and plug and does not require hard wiring.
- Full two-year parts and labor warranty.
- 69521 and 69524 feature a timer function.

DESCRIPTION

These high-efficiency, heavy-duty commercial drop-in induction ranges are designed for use in commercial kitchens and front-of-the-house cooking. They provide sensitive low-end control for cooking sauces, milks and chocolates as well as fast, high temperature cooking.

Induction ranges come complete with a 6-ft. (182.8 cm) power cord and plug. The case is made from 18-gauge 304 stainless steel with a vitro ceramic top. The ceramic top is easily cleaned with a mild cleaner.

The induction range is equipped with a variety of safety features including:

- Over-heat protection
- Small-article detection
- Pan auto-detection function
- Empty-pan shut-off

IMPORTANT

- This appliance is intended for use with induction-ready cookware.
- All models require adequate unrestricted intake and exhaust air ventilation for proper operation of the controls. The maximum intake temperature must not exceed 110°F (43°C). Temperatures are measured in ambient air while all appliances in the kitchen are in operation.
- Drop-in models require a minimum clearance of 3" (7.62 cm) at the rear and 1" (2.5 cm) at the bottom.

Agency Listings



This device complies with Part 18 FCC Rules.

Approvals

Date:



Setting the Standard™

www.vollrathco.com

The Vollrath Company, L.L.C.
 1236 North 18th Street
 Sheboygan, WI 53081-3201
 U.S.A.
 Main Tel: 800.628.0830
 Service Tel: 800.628.0832
 FAX: 800.752.5620

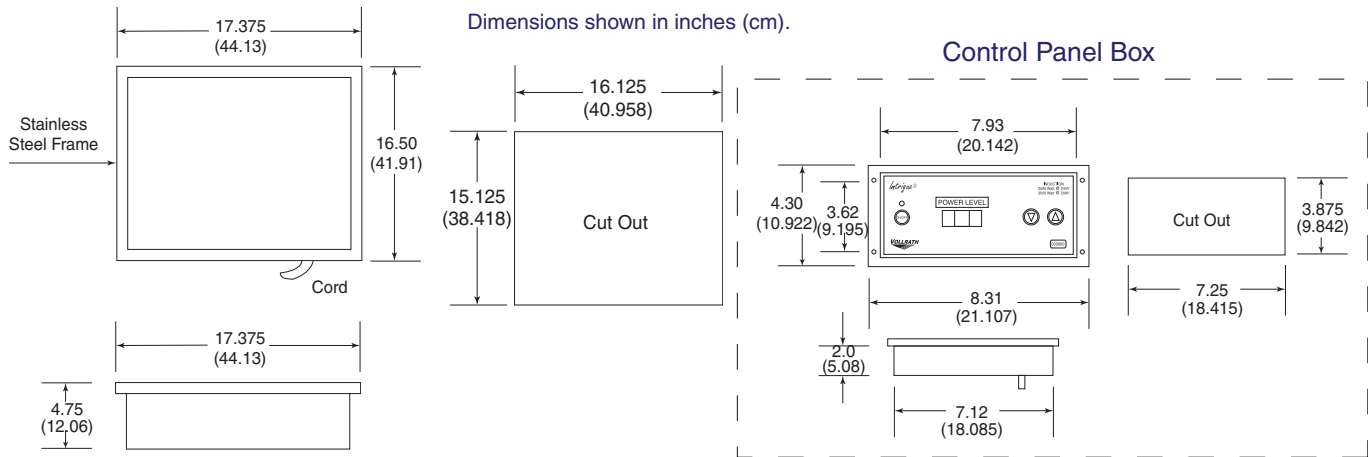
Vollrath of Canada, Co
 Tel: 800.695.8560
 FAX: 800.752.5620

INDUCTION RANGE: HEAVY-DUTY DROP-IN

MODELS:	69505	3.0 kW/3.5 kW @208V/240V
	69508	6.0 kW/7.0kW @ 208/240V (Dual Hob 3.0/3.5 kW per Hob)
	69521	2.5 kW/2.9 kW @ 208/240V
	69524	5.0 kW/5.8 kW @ 208/240V (Dual Hob 2.5/2.9 kW per Hob)

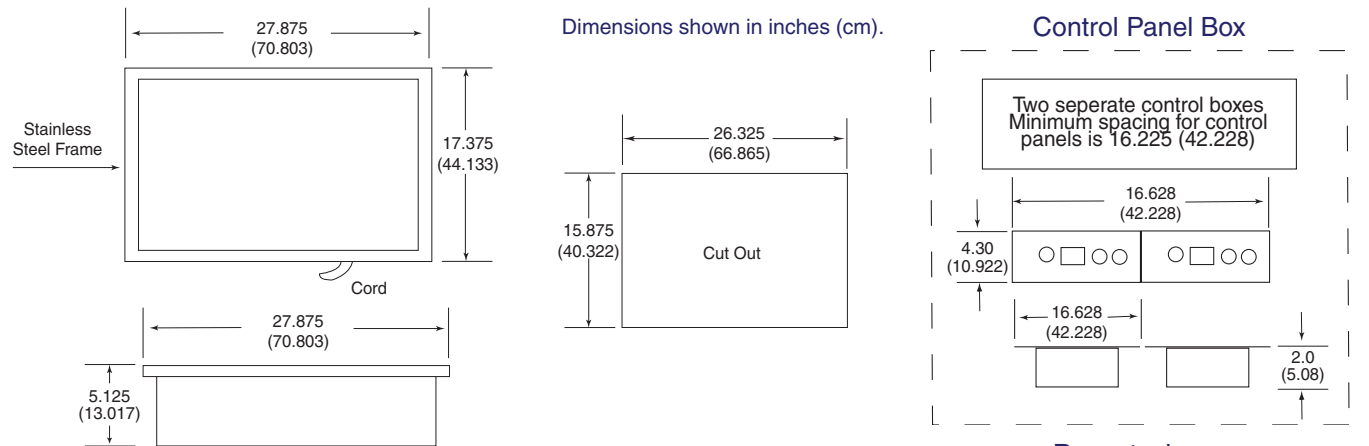
69505 AND 69521 DIMENSIONS

- ❑ Maximum pan size: 14" (35.6 cm)
- ❑ Overall dimension: 17.375" wide x 16.50" deep x 4.75" high (44.13 cm x 41.91 cm x 12.06 cm)
- ❑ Shipping container dimension: 25.0" wide x 19.0" deep x 9.0" high (63.5 cm x 48.26 cm x 22.86 cm)
- ❑ Shipping Weight: 27 lbs. (12.15 kg)



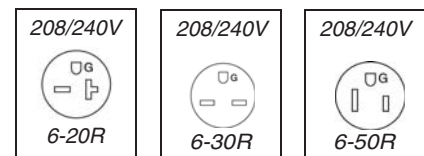
69508 AND 69524 DIMENSIONS

- ❑ Maximum pan size: 12" (30.5 cm)
- ❑ Overall dimension: 27.875" wide x 17.375" deep x 5.125" high (70.803 cm x 44.133 cm x 13.018 cm)
- ❑ Shipping container dimension: 35.0" wide x 21.0" deep x 9.0" high (53.34 cm x 88.9 cm x 22.86 cm)
- ❑ Shipping Weight: 43 Pounds (19.505 kg)



ELECTRICAL SPECIFICATIONS - 1 PHASE, 60 HZ

Model	kW Rating	Volts	Nominal Amps	NEMA Plug	Remarks
69505	3.0 – 3.5 kW	208/240V AC	14.6	6-20P	
69508	6.0 k – 7.0 kW	208/240V AC	29.2	6-50P	3.0 kW per Hob 3.5 kW per Hob
69521	2.5 – 2.9 kW	208/240V AC	12.1	6-20P	
69524	5.0 – 5.8 kW	208/240V AC	24.2	6-30P	2.5 kW per Hob 2.9 kW per Hob



The Vollrath Company, L.L.C.
 1236 North 18th Street
 Sheboygan, WI 53081-3201
 U.S.A.
 Main Tel: 800.628.0830
 Service Tel: 800.628.0832
 FAX: 800.752.5620

Vollrath of Canada, Co
 Tel: 800.695.8560
 FAX: 800.752.5620