



Project:

Item Number:

Quantity:

AFFORDABLE PORTABLE™ REFRIGERATED COLD FOOD STATIONS



Affordable Portable™ Refrigerated Cold Food Station

DESCRIPTION & FEATURES

- Vollrath Affordable Portable™ refrigerated cold stations are constructed of vinyl-clad, 20-gauge carbon steel.
- Foamed-in-place polyurethane foam insulation.
- 1 (2.54 cm) drain makes clean-up easy.
- Fully enclosed clear acrylic breath guards with 12" (30.5 cm) clearance. NSF2 Certified.
- The refrigerated cold stations are available in four versatile colors: granite, walnut woodgrain, black and cherry woodgrain.
- 18 gauge 300 series stainless steel work surfaces.
- 8 ft. power cord
- Locking casters included.
- **Affordable Portable™ orders cannot be canceled or returned.**

Lighting (requires Buffet breath guard, bulbs not included)

- Factory-installed option
- 120V

AGENCY CERTIFICATIONS



Due to continued product improvement, please consult www.vollrathco.com for current product specifications.

MODELS

Description	Black	Walnut Woodgrain	Granite	Cherry Woodgrain
3 Pan (46") Cold Food Station Base – 120V				
Solid base	R38713	R38950	R38733	R38773
Solid w/lights	R3871346	R3895046	R3873346	R3877346
Open Storage	R38714	R38951	R38734	R38774
Open w/lights	R3871446	R3895146	R3873446	R3877446
Storage w/door	R38715	R38952	R38735	R38775
Storage w/door, w/lights	R3871546	R3895246	R3873546	R3877546
Cafeteria unit ^①	R39713	R39950	R39733	R39773
Cafeteria unit w/open storage ^①	R39714	R39951	R39734	R39774
Cafeteria unit w/storage door ^①	R39715	R39952	R39735	R39775
4 Pan (60") Cold Food Station Base – 120V				
Solid base	R38716	R38960	R38736	R38776
Solid w/lights	R3871660	R3896060	R3873660	R3877660
Open Storage	R38717	R38961	R38737	R38777
Open w/lights	R3871760	R3896160	R3873760	R3877760
Storage w/door	R38718	R38962	R38738	R38778
Storage w/door, w/lights	R3871860	R3896260	R3873860	R3877860
Cafeteria unit ^①	R39716	R39959	R39736	R39776
Cafeteria unit w/open storage ^①	R39717	R39961	R39737	R39777
Cafeteria unit w/storage door ^①	R39718	R39962	R39738	R39778

① Includes Cafeteria breath guard with acrylic panel.

ELECTRICAL SPECIFICATIONS

Incandescent lamps only (40W maximum per fixture)

Description	HP	Volts	Hz	Amps	Electrical Service Amps	Plug
3 Pan	1/5	120	60	3.8	15	5-15P
4 Pan	1/4			5.2		5-15P
3 Pan with Lights	1/5			4.4		5-15P
4 Pan with Lights	1/4			6		5-15P

120V

5-15R

WARRANTY: All models shown come with Vollrath's standard warranty against defects in materials and workmanship. For full warranty details, please refer to the Vollrath Equipment and Smallwares Catalog.

Approvals	Date



Setting the Standard™

www.vollrathco.com

The Vollrath Company, L.L.C.
 1236 North 18th Street
 Sheboygan, WI 53081-3201 U.S.A.
 Customer Service: 800.628.0830
 Canada Customer Service: 800.695.8560
 Main Fax: 800.752.5620 or 920.459.6573

Technical Services: 800.628.0832
 Technical Services Fax: 920.459.6573

KaTom Restaurant Supply, Inc.

Affordable Portable™ Refrigerated Cold Food Stations

The Vollrath Company, L.L.C.

AFFORDABLE PORTABLE™ REFRIGERATED COLD FOOD STATIONS

ACCESSORIES AND ADD-ONS

Cashier Station

- Stable stainless steel work surface
- Wide enough for almost any register or terminal
- Open base and bottom shelf for extra storage
- Cash drawer not available
- Unit depth: 24" (61 cm)



Description	Dimensions (LxH)	Black	Walnut Woodgrain	Granite	Cherry Woodgrain
	Inches (CM)				
Cashier Station	24 x 35 (60.9 x 89)	38700	38905	38720	38760

Plate Rests

- Stainless steel
- Designed for Affordable Portable™ only
- Non-folding plate rests are easily removed to allow serving units to be transported through doorways.
- Surface width: 7" (17.8 cm)



Item	Description	Case Lot
NF38992	24" (61 cm) plate rest with mounting kit	1
NF38993	46" (117 cm) plate rest with mounting kit	1
NF38994	60" (152 cm) plate rest with mounting kit	1

Tray Slides

- 300 series stainless steel
- Non-folding tray slides are easily removed to allow serving units to be transported through doorways.
- Overall width: 11½" (29.2 cm)
- Tray surface: 11" (27.9 cm)



Item	Description	Case Lot
NF39924	Fits 24" (61 cm) Affordable Portable™	1
NF39946	Fits 46" (117 cm) Affordable Portable™	1
NF39960	Fits 60" (152 cm) Affordable Portable™	1

Cutting Boards

- Polyethylene
- Non-folding cutting boards are easily removed to allow serving units to be transported through doorways.
- Surface width: 7" (17.8 cm)



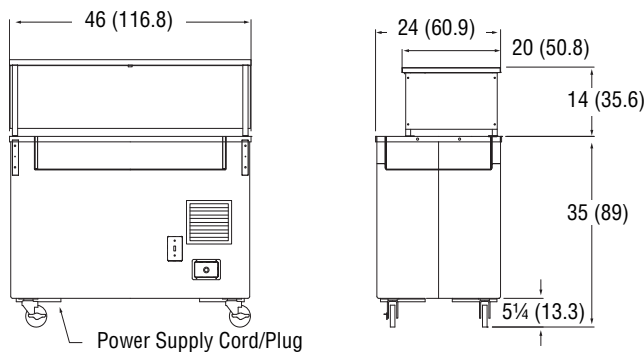
Item	Description	Case Lot
NF39824	Fits 24" (61 cm) Affordable Portable™	1
NF39846	Fits 46" (117 cm) Affordable Portable™	1
NF39860	Fits 60" (152 cm) Affordable Portable™	1

STORAGE OPENING DIMENSIONS

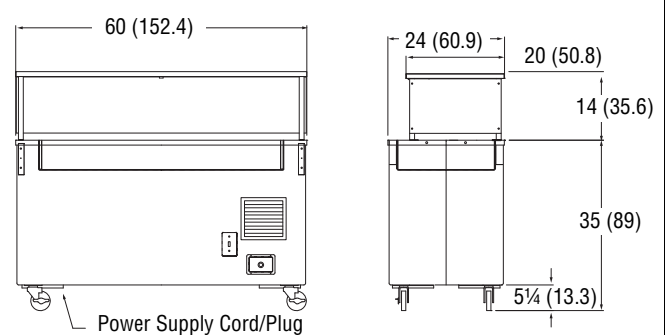
Description	Dimensions (L x W x H): IN (CM)
60" Unit	50 x 23 x 16½ (127 x 58 x 42)
46" Unit	36 x 23 x 16½ (91.5 x 58 x 42)

DIMENSIONS

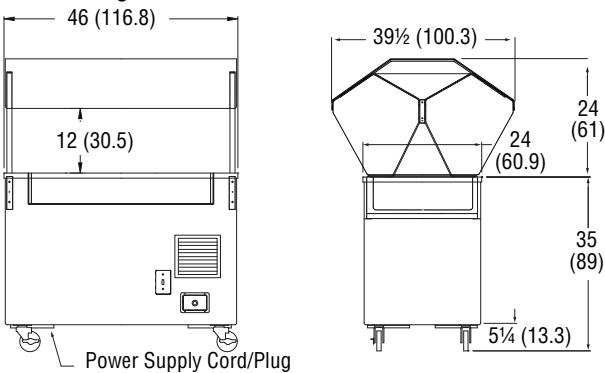
3 Pan Refrigerated Cold Station with Cafeteria Breath Guard



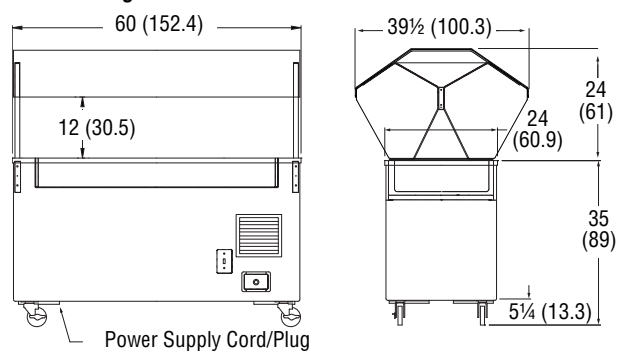
4 Pan Refrigerated Cold Station with Cafeteria Breath Guard



3 Pan Refrigerated Cold Station with Buffet Breath Guard



4 Pan Refrigerated Cold Station with Buffet Breath Guard



The Vollrath Company, L.L.C.
 1236 North 18th Street
 Sheboygan, WI 53081-3201 U.S.A.
 Customer Service: 800.628.0830
 Canada Customer Service: 800.695.8560
 Main Fax: 800.752.5620 or 920.459.6573

Technical Services: 800.628.0832
 Technical Services Fax: 920.459.6573