

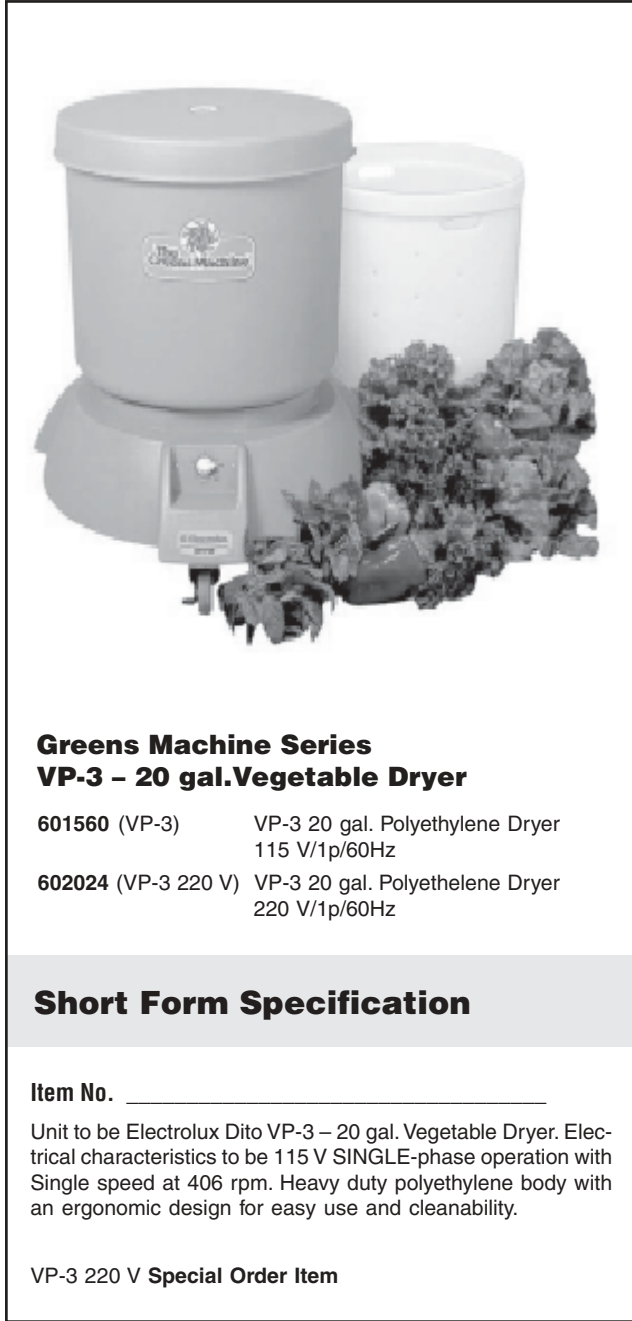
ITEM # \_\_\_\_\_

MODEL # \_\_\_\_\_

PROJECT NAME # \_\_\_\_\_

SIS # \_\_\_\_\_

AIA # \_\_\_\_\_



#### Greens Machine Series VP-3 – 20 gal. Vegetable Dryer

601560 (VP-3) VP-3 20 gal. Polyethylene Dryer  
115 V/1p/60Hz

602024 (VP-3 220 V) VP-3 20 gal. Polyethelene Dryer  
220 V/1p/60Hz

#### Short Form Specification

Item No. \_\_\_\_\_

Unit to be Electrolux Dito VP-3 – 20 gal. Vegetable Dryer. Electrical characteristics to be 115 V SINGLE-phase operation with Single speed at 406 rpm. Heavy duty polyethylene body with an ergonomic design for easy use and cleanability.

VP-3 220 V Special Order Item

#### Main features

- Easy to Reach Control Knob with adjustable ON/OFF 5 minute timer.
- Easy Lock Casters
- Easy Cleaning
- Easy to load Polyethylene Inner Basket with Handle Grips
- Sturdy Polyethylene base totally sealed
- Balanced Stainless steel driver, easy to remove for cleaning
- Polyethylene Tub & Lid Dimensions:
  - Height: 32.5"
  - Diameter: 27"
- Shipping Weight: 60 lbs.
- Space Required: 26.5" wide
- Built in water drain reservoir.
- Inner Liner Capacity: 20 gal./18 lbs.
  - Height: 17"
  - Diameter: 15.68"
- ETL electrical and sanitation listed.
- NEMA # : 5-15P with 8' cord.
- 2 year parts warranty, 1 year labor.

#### Optional Accessories

- Extra inner liner (PNC 653626)
- Polyethylene lid (PNC 653627)



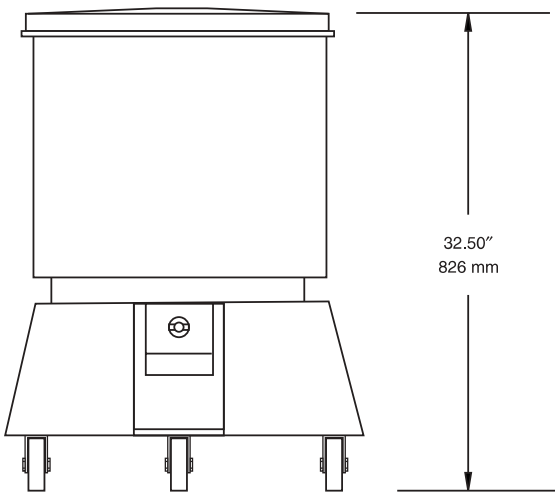
Approval: \_\_\_\_\_

**Electric**

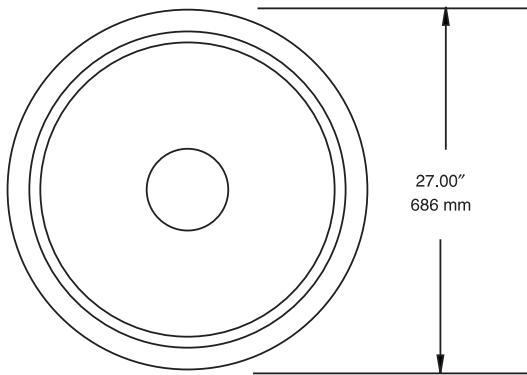
Supply voltage:

<b>601560</b> (VP3)	115 V/1p/60Hz - 2.7A
<b>602024</b> (VP-3 220V)	220 V/1p/60Hz

**Front View**



**Top View**



**Side View**

