

**Electrolux**

**DITO**

**K180 Vertical Cutter-Mixer**

ITEM # \_\_\_\_\_

MODEL # \_\_\_\_\_

PROJECT NAME # \_\_\_\_\_

SIS # \_\_\_\_\_

AIA # \_\_\_\_\_

**Electrolux**  
**DITO**



**Main features**

- Power: 4-3/4 HP for Two Speed Model.
- 1800/3600 RPM for Two Speed Model.
- 3.6 kW for Two Speed Model.
- Red OFF, Green ON, and PULSE Buttons
- Compact Design
- Belt Drive
- All Stainless Steel Bowl
- Magnetic safety system and motor brake. Prevents machine from running when bowl lid swings away from magnetic switch or is open.
- Delivered with :
- 18.5 Qt. Stainless Steel bowl with smooth edge "S" blade included.
- Complete selection of accessories available.
- Dimensions: (HxLxW): 23.75" x 16" x 25"
- Approx. shipping weight—150 lbs
- NEMA L15-20P for Two Speed Model
- 2 year parts warranty, 1 year labor.

**Included Accessories:**

- Smooth Blade Rotor - 18.5 Qt. VCM (PNC 653119)
- 18.5 Qt. Stainless Bowl (PNC 653272)

**Optional Accessories:**

- Smooth Blade Rotor - 18.5 Qt. VCM (PNC 653119)
- Serrated Blade Rotor - 18.5 Qt. VCM (PNC 653120)
- Equipped Scrapper for 18.5 Qt. VCM (PNC 653279)
- 18.5 Qt. Stainless Bowl (PNC 653272)
- Stainless Steel Mobile Stand (PNC 653017)

**K180 Vertical Cutter-Mixer**

603302 (K180FU) K180 VCM (s/s bowl) 2 SPEED  
208-240 V/3p/60Hz

**Short Form Specification**

Item No. \_\_\_\_\_

Unit to be Electrolux Dito K180FU K180 Vertical Cutter-Mixer. Electrical characteristics to be 208-240 V, Three-phase operation with 2 speed at 1800 or 3600 rpm. Vertical Cutter-Mixer designed for vertical cutting and mixing in 18.5 quart quantities: puree, mix, chop, blend, mix and knead dough.



With L15-20P (for Model PNC 603302)

Approval: \_\_\_\_\_

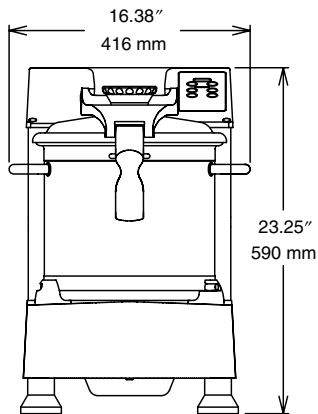
**Electrolux Professional, Inc.**

[www.electroluxusa.com/professional](http://www.electroluxusa.com/professional)

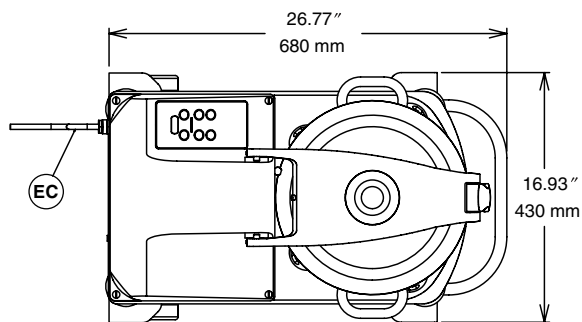
3225 SW 42nd Street, Fort Lauderdale, Florida, 33312 • Telephone Number: 866-449-4200 • Fax Number: 954-327-6789

**K180 Vertical Cutter-Mixer**

**Front View**



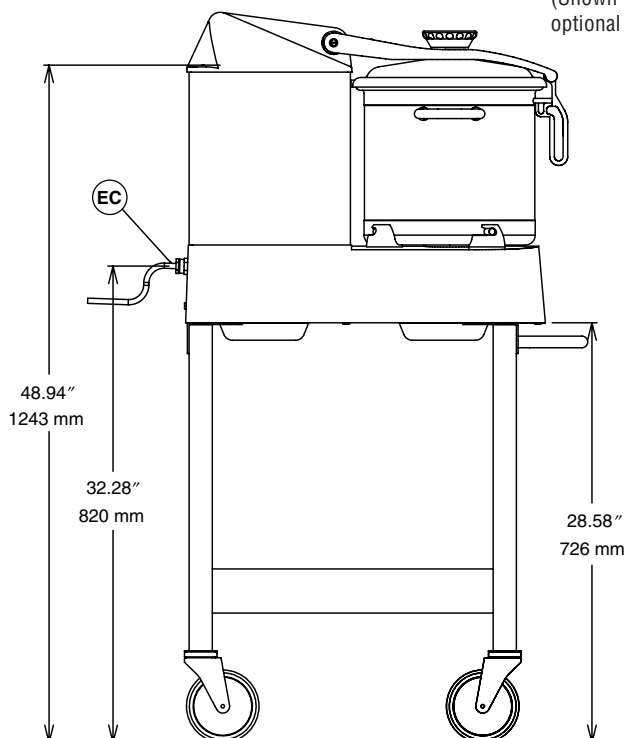
**Side View**



EC = Electrical connection

**Top View**

(Shown with optional trolley.)



**Electric**

Supply voltage:

603302 (K180FU) 208-240 V/3p/60Hz – 13.9A

**Key Information**

**Uses of Food Processor**

**MEAT**

- Rough mincing
  - Pates
  - Small sausages
  - Large sausages
  - Minced meat
  - Shellfish

- Fine mincing
  - Stuffing
  - Mousses

**PASTRY**

- Shortcrust
- Cold water paste
- Flan

**POWDER**

- Almonds
- Hazelnuts

**FRUITS AND VEGETABLES**

- Purees
- Mousses
- Syrups

**CHOPPING**

- Parsley
- Onions