

Item No.:	_____	Qty.	_____
Model No.:	_____		
Project No.:	_____		



Specifications

14" Standard Series Sink, with two compartments, right drainboard, 9" backsplash, 16 gauge, 300 series stainless steel top and bowl, galvanized legs & adjustable feet, raised 1-1/2" rolled edge, includes 3-1/2" basket strainer, NSF approved

Features

- 16 Ga. stainless steel
- Welded construction for consistent metal gauge thickness throughout
- 14" (355.6 mm) deep tub with 3/4" (19.1 mm) coved radius tub corners
- Drainboard is die stamped for positive drainage
- 9" (228.6 mm) backsplash with tile ledge for easy installation
- Raised 1-1/2" (38.1 mm) diameter rolled edge
- 3-1/2" (88.9 mm) drain with basket strainers included
- 1-5/8" (41.3 mm) galvanized legs with 1" (25.4 mm) adjustable plastic feet
- 2" (50.8 mm) divider between each tub

Flyer Product

In keeping with our policy of continuing product improvement, Elkay SSP reserves the right to change product specifications without notice.

14" Standard Series Sinks

14" Deep Standard Series Two Compartment Stainless Steel Sinks

- 14-2C16X20-R-18X**
- 14-2C18X24-R-18X**
- 14-2C24X24-R-24X**

Options

- Faucets
- Tub Accessories
- Undershelves
- Rotary Drain Options
- H-Frame Stainless Steel Legs
- Stainless Steel Feet Options (bullet & flange styles)

Materials

- Sink & Bowl: 16 Ga. 300 series stainless steel
- Top: Drainboard and backsplash are 16 gauge 300 series stainless steel.
- Legs: All sinks furnished with 1-5/8" (41.3 mm) diameter heavy gauge galvanized tubing with plated galvanized leg gussets and high impact corrosion resistant fully adjustable 1" (25.4 mm) feet.

Mechanical

- 1-1/8" (28.6mm) faucet holes on 8" (203.2mm) centers
- 3-1/2" (88.9mm) waste drain opening



AUTOQUOTES



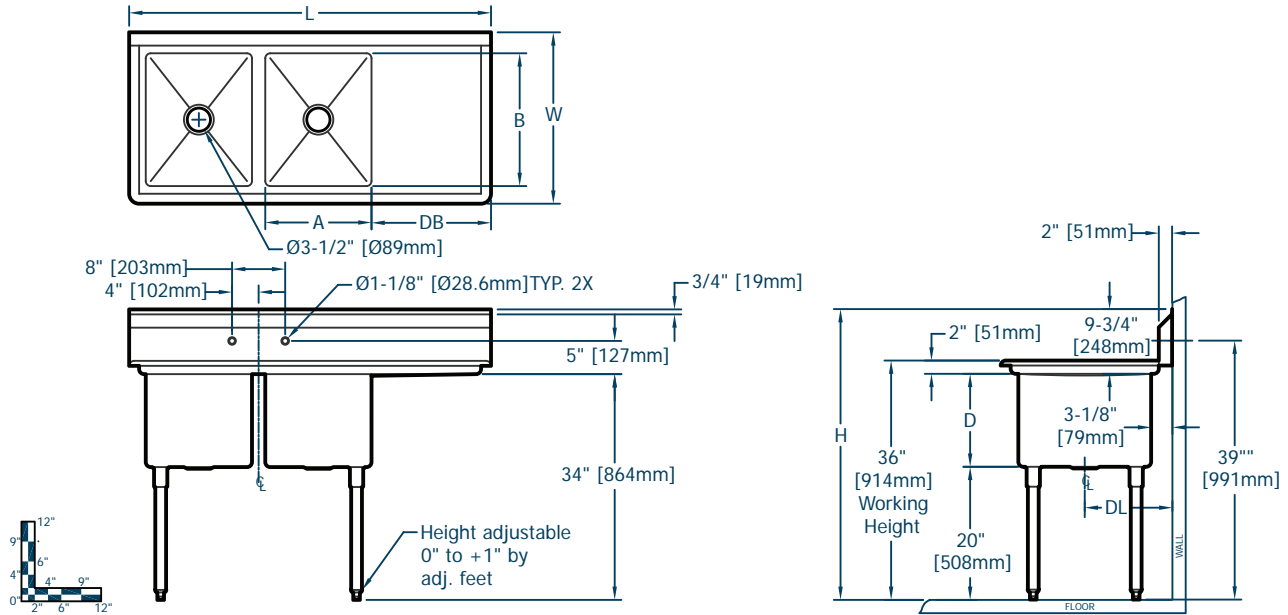
This specification describes an Elkay SSP product with design, quality and functional benefits to the user. When making a comparison of other producers' offerings, be certain these features are not overlooked.



Item No.: _____ Qty. _____
 Model No.: _____
 Project No.: _____

14" Standard Series Sinks

14" Deep Standard Series Two Compartment Stainless Steel Sinks



14" Standard Series Sinks																			
Model Number	Bowl Dimensions						Overall Size						Drainboard		Drain Location		Weight		
	Width		Front-to-Back		Depth		Length		Width		Height		Location	Size		Location		lbs.	kg
	A	mm	B	mm	D	mm	L	mm	W	mm	H	mm		DB	mm	DL	mm		
14 2C 16 X 20 R 18 X	16	406	20	508	14	356	54.5	1384	25.8	656	43.8	1111	Right	18	457	13	330	153	69
14 2C 18 X 24 R 18 X	18	457	24	610	14	356	58.5	1486	29.8	757	43.8	1111	Right	18	457	15	381	174	79
14 2C 24 X 24 R 24 X	24	610	24	610	14	356	76.5	1943	29.8	757	43.8	1111	Right	24	610	15	381	221	100

