

Item No.:	_____	Qty.:	_____
Model No.:	_____		
Project No.:	_____		



## Standard Series Work Table

Standard Work Table, Flat Top with Stainless Steel Undershef

24"

30"

- WT24S30-STSX
- WT24S36-STSX
- WT24S48-STSX
- WT24S60-STSX
- WT24S72-STSX
- WT24S84-STSX
- WT24S96-STSX
- WT24S108-STSX
- WT24S120-STSX

- WT30S30-STSX
- WT30S36-STSX
- WT30S48-STSX
- WT30S60-STSX
- WT30S72-STSX
- WT30S84-STSX
- WT30S96-STSX
- WT30S108-STSX
- WT30S120-STSX

### Features

- 16 Gauge, 300 series stainless steel
- Welded construction for consistent metal gauge thickness throughout
- Sound deadened between top and bottom hat channels with double sided tape
- 1-5/8" Stainless steel legs and feet, adjustable up to 1"
- Fully adjustable stainless steel undershef
- Shipped knocked down for reduced shipping costs and supplied with Allen wrench and screws

### Options

- Custom Height (if less than 36")
- Cutout in Top (depending on size and location)
- Overshelves
- Undershelves
- Drawers
- Casters / Feet Upgrade

\* For additional available options, contact Elkay SSP

### Materials

- **Top:** 16 Gauge, 300 series stainless steel, 1-3/4" turned-down edge
- **Legs:** 1-5/8" Diameter heavy gauge stainless steel tubing with stainless steel leg gussets and stainless steel feet, adjustable up to 1"
- **Undershef:** 18 Gauge, 400 series stainless steel, 1-1/2" turned-down edge, fully adjustable

### Flyer Product



**AUTOQUOTES**



*In keeping with our policy of continuing product improvement, Elkay SSP reserves the right to change product specifications without notice.*

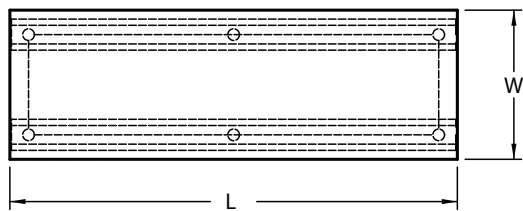
*This specification describes an Elkay SSP product with design, quality and functional benefits to the user. When making a comparison of other producers' offerings, be certain these features are not overlooked.*

**Elkay SSP**  
 421 N. Freya St.  
 Spokane, WA 99205  
 Phone: 800-726-0553 Fax: 509-535-1493

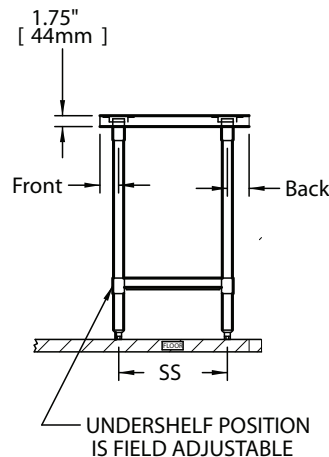
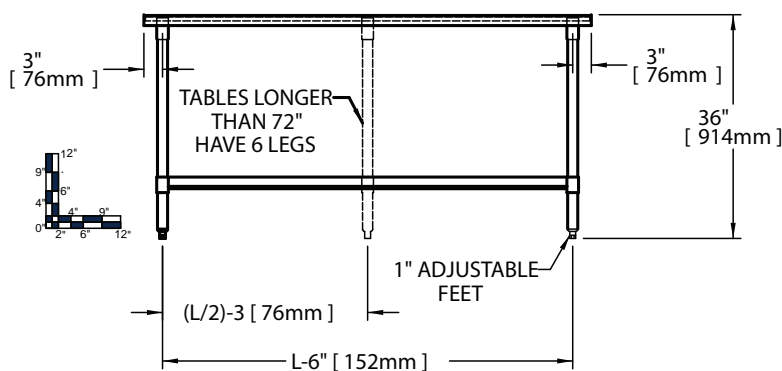
Website: [www.sspinc.net](http://www.sspinc.net)  
 Email: [sspsales@elkay.com](mailto:sspsales@elkay.com)  
 ©2011 Elkay



Item No.: \_\_\_\_\_ Qty.: \_\_\_\_\_  
 Model No.: \_\_\_\_\_  
 Project No.: \_\_\_\_\_



Size of Undershef:  
 Common length = subtract 6" from length  
 24" Width = subtract 6.5" from width  
 30" Width = subtract 7.45" from width



24" Work Table					30" Work Table					Legs				
Model Number	Overall Size		Weight		Model Number	Overall Size		Weight						
	Length L	Height H	lbs.	kg		Length L	Height H	lbs.	kg					
	in.	mm	in.	mm		in.	mm	in.	mm					
WT 24 S 30 - STS X	30	762	36	914	91	41	WT 30 S 30 - STS X	30	762	36	914	102	46	4
WT 24 S 36 - STS X	36	914	36	914	99	45	WT 30 S 36 - STS X	36	914	36	914	111	50	4
WT 24 S 48 - STS X	48	1219	36	914	121	55	WT 30 S 48 - STS X	48	1219	36	914	134	61	4
WT 24 S 60 - STS X	60	1524	36	914	147	67	WT 30 S 60 - STS X	60	1524	36	914	164	75	4
WT 24 S 72 - STS X	72	1829	36	914	168	76	WT 30 S 72 - STS X	72	1829	36	914	188	85	4
WT 24 S 84 - STS X	84	2134	36	914	205	93	WT 30 S 84 - STS X	84	2134	36	914	228	104	6
WT 24 S 96 - STS X	96	2438	36	914	228	104	WT 30 S 96 - STS X	96	2438	36	914	253	115	6
WT 24 S 108 - STS X	108	2743	36	914	257	117	WT 30 S 108 - STS X	108	2743	36	914	285	130	6
WT 24 S 120 - STS X	120	3048	36	914	280	127	WT 30 S 120 - STS X	120	3048	36	914	310	141	6

