

Item No.:	_____	Qty.:	_____
Model No.:	_____		
Project No.:	_____		



Standard Series Work Table

Standard Work Table, Flat Top with Stainless Steel Crossbracing

24"

30"

- WT24X30-STSX
- WT24X36-STSX
- WT24X48-STSX
- WT24X60-STSX
- WT24X72-STSX
- WT24X84-STSX
- WT24X96-STSX
- WT24X108-STSX
- WT24X120-STSX

- WT30X30-STSX
- WT30X36-STSX
- WT30X48-STSX
- WT30X60-STSX
- WT30X72-STSX
- WT30X84-STSX
- WT30X96-STSX
- WT30X108-STSX
- WT30X120-STSX

Features

- 16 Gauge, 300 series stainless steel
- Welded construction for consistent metal gauge thickness throughout
- Sound deadened between top and bottom hat channels with double sided tape
- 1-5/8" Stainless steel legs and feet, adjustable up to 1"
- Adjustable stainless steel crossbracing
- Shipped knocked down for reduced shipping costs and supplied with Allen wrench and screw

Options

- Custom Height (if less than 36")
- Cutout in Top (depending on size and location)
- Overshelves
- Undershelves
- Drawers
- Casters / Feet Upgrade

* For additional available options, contact Elkay SSP

Materials

- **Top:** 16 Gauge, 300 series stainless steel, 1-3/4" turned-down edge
- **Legs:** 1-5/8" Diameter heavy gauge stainless steel tubing with stainless steel leg gussets and stainless steel feet adjustable up to 1"
- **Crossbracing:** 1-1/4" Diameter, stainless steel, adjustable

Flyer Product



AUTOQUOTES



In keeping with our policy of continuing product improvement, Elkay SSP reserves the right to change product specifications without notice.

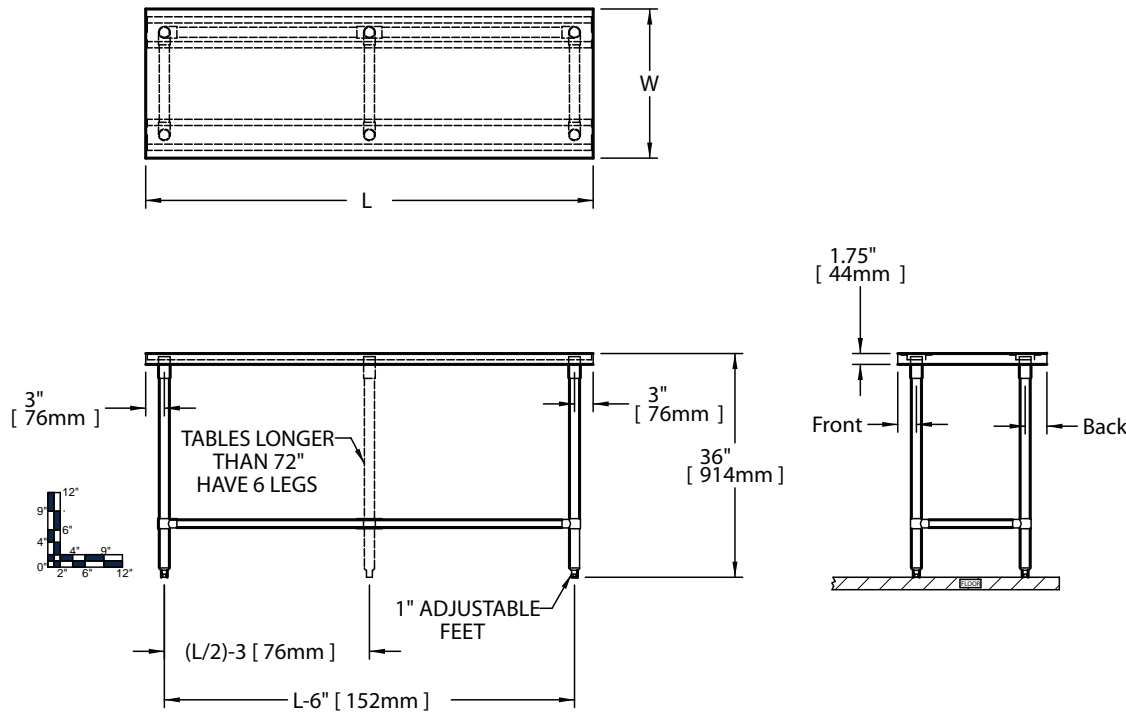
This specification describes an Elkay SSP product with design, quality and functional benefits to the user. When making a comparison of other producers' offerings, be certain these features are not overlooked.

Elkay SSP
 421 N. Freya St.
 Spokane, WA 99205
 Phone: 800-726-0553 Fax: 509-535-1493

Website: www.sspinc.net
 Email: sspsales@elkay.com
 ©2011 Elkay



Item No.: _____ Qty.: _____
 Model No.: _____
 Project No.: _____



24" Work Table					30" Work Table					Legs				
Model Number	Overall Size		Weight		Model Number	Overall Size		Weight						
	Length L	Height H	lbs.	kg		Length L	Height H	lbs.	kg					
	in.	mm	in.	mm		in.	mm	in.	mm	lbs.	kg			
WT 24 X 30 - STS X	30	762	36	914	76	35	WT 30 X 30 - STS X	30	762	36	914	86	39	4
WT 24 X 36 - STS X	36	914	36	914	86	39	WT 30 X 36 - STS X	36	914	36	914	95	43	4
WT 24 X 48 - STS X	48	1219	36	914	103	47	WT 30 X 48 - STS X	48	1219	36	914	113	51	4
WT 24 X 60 - STS X	60	1524	36	914	125	57	WT 30 X 60 - STS X	60	1524	36	914	137	62	4
WT 24 X 72 - STS X	72	1829	36	914	143	65	WT 30 X 72 - STS X	72	1829	36	914	156	71	4
WT 24 X 84 - STS X	84	2134	36	914	176	80	WT 30 X 84 - STS X	84	2134	36	914	191	87	6
WT 24 X 96 - STS X	96	2438	36	914	194	88	WT 30 X 96 - STS X	96	2438	36	914	211	96	6
WT 24 X 108 - STS X	108	2743	36	914	220	100	WT 30 X 108 - STS X	108	2743	36	914	238	108	6
WT 24 X 120 - STS X	120	3048	36	914	239	109	WT 30 X 120 - STS X	120	3048	36	914	258	117	6

