

REACH IN UPRIGHTS

REFRIGERATORS and FREEZERS

FEATURES

- ▶ Stainless steel series 430 exterior doors, fronts & sides
- ▶ Stainless steel series 304 interior doors, sides & flooring
- ▶ Stucco aluminum back panel
- ▶ Reversible door on single door models
- ▶ Recessed door handle on front of door
- ▶ Self-closing hinged doors with 90° stay open feature
- ▶ LED digital temperature display
- ▶ PVC coated adjustable steel shelves
- ▶ Interior lighting
- ▶ Safety door lock and keys
- ▶ Automatic defrost by thermostat cycle
- ▶ Removable door gasket to allow cleaning
- ▶ Forced air system with manual temp control
- ▶ Temperature range / refrigerator: 32° to 50°F
- ▶ Temperature range / freezer: 0 to -10°F
- ▶ Standard 5" industrial casters / front locking
- ▶ Optional 6" legs
- ▶ Thick 2.5" foamed in place polyurethane insulation
- ▶ 8-ft power cord and plug set

Mdl CFD1RR-23
Mdl CFD1FF-23
Reversible Door



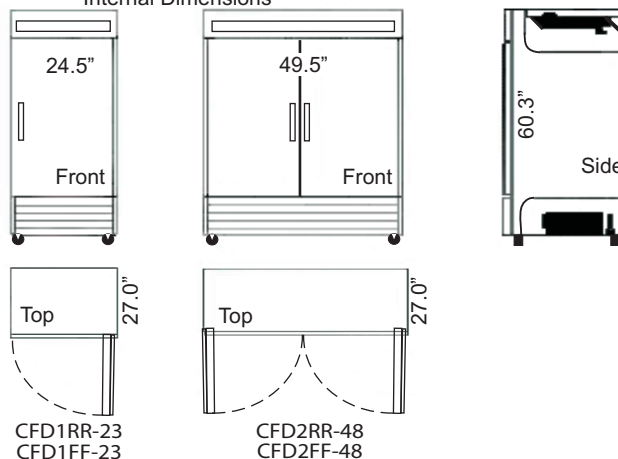
Mdl CFD2RR-48
Mdl CFD2FF-48



SPECIFICATIONS

Model	Doors/ Shelves	External Dimensions W x D x H	Gross Cu Ft	Shipping Weight	Amps	H/P	CFC-free Refrigerant	Electrical
CFD1RR-23	1 / 3	29.0" x 32.2" x 82.5"	23.0	385	4.5	1/3	R-134a	115/120V, 60Hz
CFD1FF-23	1 / 3	29.0" x 32.2" x 82.5"	23.0	410	7	1/2	R-404a	115/120V, 60Hz
CFD2RR-48	2 / 6	54.0" x 32.2" x 82.5"	48.0	533	9	1/2	R-134a	115/120V, 60Hz
CFD2FF-48	2 / 6	54.0" x 32.2" x 82.5"	48.0	605	10	3/4	R-404a	115/120V, 60Hz

Internal Dimensions



WARRANTY
18 Months Parts and Labor
5 Years Compressor (part only)

Administered by:
MetalFrio Solutions
(888) 403-0070 Toll Free



Certified to ANSI/NSF 7 Standards

Product design and specifications are subject to modification by manufacturer without prior notice.