

DELUXE LED DIPPING CABINET



Model DDC-52LED

FEATURES

- ▶ LED light from canopy highlights product appearance
- ▶ Tempered glass sliding lids
- ▶ Curved tempered glass sneeze guard
- ▶ White powder coated, baked on enamel exterior
- ▶ Aluminum interior
- ▶ Tubholders and skirts
- ▶ Dual t-stat temp range +10° to -18°F
- ▶ Bottom drain with plug
- ▶ Heavy duty dual casters
- ▶ Dipper well installation ready
- ▶ Refrigerant CFC-free R-134a
- ▶ 8-ft power cord and plug set

Standard Features



Tubholder



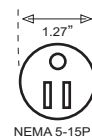
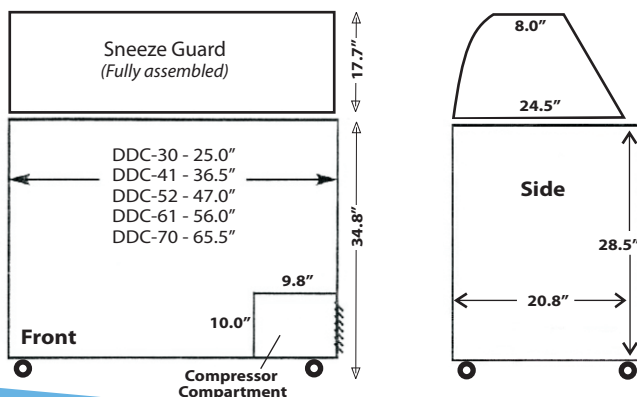
Skirt

OPTIONS

- ▶ Lid lock & keys
- ▶ Locking casters
- ▶ Dipper well
- ▶ Custom graphics

SPECIFICATIONS

Model	Tubholders & Skirts	Display / Storage	External Dimensions W x D x H	Gross Cu Ft	Net Cu Ft	Shipping Weight	Amps	H/P	Electrical
DDC-30 LED	2 / 2	4 / 2	29.5" x 25.8" x 52.5"	7.8	6.4	181	4.0	1/4	115/120V, 60Hz
DDC-41 LED	3 / 3	6 / 4	41.0" x 25.8" x 52.5"	11.9	9.9	224	4.0	1/4	115/120V, 60Hz
DDC-52 LED	4 / 4	8 / 6	51.5" x 25.8" x 52.5"	15.6	13.0	274	6.0	1/3	115/120V, 60Hz
DDC-61 LED	5 / 5	10 / 8	60.5" x 25.8" x 52.5"	18.9	15.8	305	6.0	3/8	115/120V, 60Hz
DDC-70 LED	6 / 6	12 / 10	69.8" x 25.8" x 52.5"	22.2	18.6	321	6.0	3/8	115/120V, 60Hz



NEMA 5-15P

WARRANTY

18 Months Parts and Labor
5 Years Compressor (part only)

Administered by:
Metalrio Solutions
(888) 403-0070 Toll Free



Product design and specifications are subject to modification by manufacturer without prior notice.

Metalrio Solutions, Inc.
110 Enterprise Parkway - Boerne, TX 78006
(888) 403-0070 Toll Free - (888) 339-1904 Toll Free Fax
www.metalrio.com - sales@metalrio.com

Effective Date - January, 2011