

MSC CHEST FREEZER SERIES

Curved Glass Sliding Lids

Models

- MSC-31C MSC-49C
- MSC-41C MSC-66C

Features

- ▶ Interior LED lights for POS attraction
- ▶ Molded plastic lid frame heated with reverse gas

Hardware & Construction

- ▶ White powder coated, baked on enamel steel exterior
- ▶ Painted white zinc coated steel interior
- ▶ Thick 2.5" foamed in place polyurethane insulation

Door / Lid System

- ▶ Curved tempered glass sliding lids
- ▶ Lid lock and keys

Temperature

- ▶ Grill area control panel - temp range +10 to -18°F
- ▶ Front panel analog thermometer display

Shelving / Baskets / Dividers

- ▶ Standard size angle basket with one divider

Standard

- ▶ Bottom defrost drain with plug
- ▶ Manual defrost
- ▶ Dual heavy-duty casters / two locking
- ▶ Removable rubber bumper guards / grill side
- ▶ Refrigerant CFC-free R-134a
- ▶ Refrigerant CFC-free R-404a (MSC66C only)
- ▶ 6-1/2 ft power cord and plug set

Options

- ▶ Custom Graphics



NOTE: Cabinet designed for optimum performance in climate controlled area at 85°F ambient and 55% relative humidity

WARRANTY

18 Months Parts and Labor
 5 Years Compressor (part only)

Administered by:
 Metalfrío Solutions 888-403-0070 TF
 (U.S.A. Only)



Product design and specifications are subject to modification by manufacturer without prior notice.

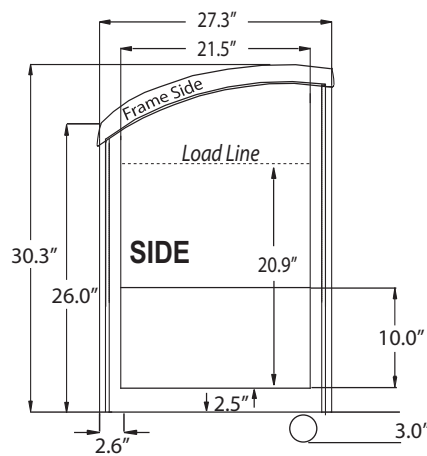
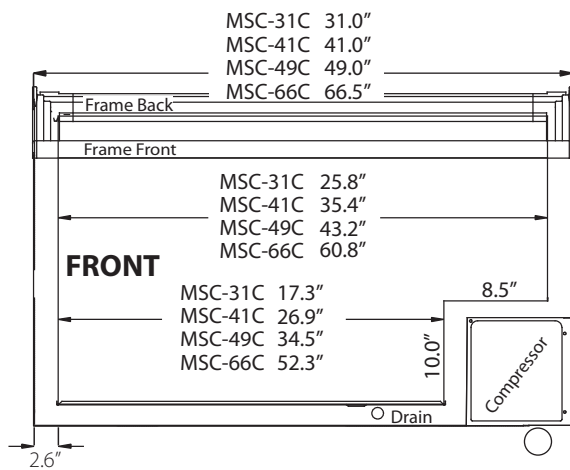
MSC CHEST FREEZER SERIES

Curved Glass Sliding Lids

Models
 MSC-31C MSC-49C
 MSC-41C MSC-66C

Specifications

Model	Baskets & Dividers	External Dimensions W x D x H	Gross Cu Ft	Net Cu Ft	Shipping Weight	Amps	H/P	Electrical
MSC-31C	3 & 3	31.0" x 27.3" x 30.0/33.3"	8.3	6.0	155	2.3	1/3	115/120V, 60Hz
MSC-41C	4 & 4	41.0" x 27.3" x 30.0/33.3"	11.5	8.5	188	1.9	3/8	115/120V, 60Hz
MSC-49C	5 & 5	49.0" x 27.3" x 30.0/33.3"	14.5	10.5	212	1.9	3/8	115/120V, 60Hz
MSC-66C	7 & 7	66.5" x 27.3" x 30.0/33.3"	20.5	15.3	270	5.5	3/4	115/120V, 60Hz



MSC Standard Basket Configuration

Basket walls (4)
 8.5"W x 20.8"D x 15.3"/12.3"H
 Vertical removable divider (1)
 8.3"W x 9.3"H

Features



Grill Area Control Panel



Front Panel Temp Display



Double Casters



Front Internal LED Lights