

HORIZONTAL GLASS TOP SERIES

FEATURES

- ▶ Flat tempered glass sliding lids
- ▶ White powder coated, baked on enamel exterior
- ▶ Painted white powder coated aluminum interior
- ▶ New deep flat baskets with dividers
- ▶ Dual heavy-duty casters, two locking
- ▶ Adjustable thermostat, temp range +10 to -18°F
- ▶ Bottom drain with plug
- ▶ Lock insert assembly
- ▶ Refrigerant CFC-free R-134a - MSF-30, MSF-41, MSF-52
- ▶ Refrigerant CFC-free R-404a - MSF-70
- ▶ 6-ft power cord and plug set



Model MSF-41

OPTIONS

- ▶ Lid lock and keys
- ▶ Hanging thermometer
- ▶ Custom graphics

SPECIFICATIONS

Model	Baskets / Dividers	External Dimensions W x D x H	Gross Cu Ft	Net Cu Ft	Shipping Weight	Amps	H/P	Electrical
MSF-30	3 / 3	29.5" x 25.7" x 35.5"	7.8	6.4	159	4.0	1/4	115/120V, 60Hz
MSF-41	4 / 4	41.0" x 25.7" x 35.5"	11.9	9.9	192	4.0	1/3	115/120V, 60Hz
MSF-52	5 / 5	51.5" x 25.7" x 35.5"	15.6	13.0	224	6.0	1/3	115/120V, 60Hz
MSF-70	6 / 6	69.7" x 25.7" x 35.5"	22.2	18.6	270	6.0	3/8	115/120V, 60Hz

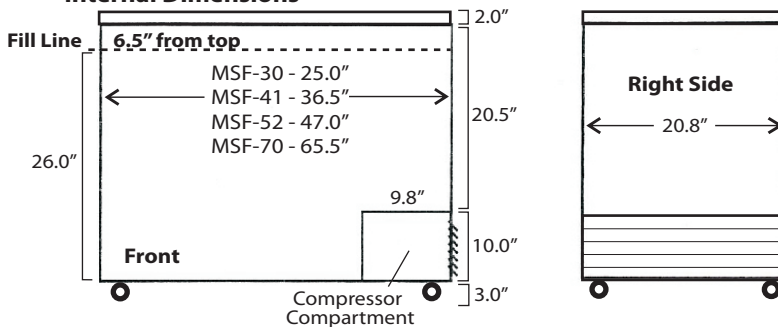
Basket Configuration



Basket Dimensions

- A - 8"W x 21.8"D x 12"H
- B - 8"W x 21.8"D x 18"H
- C - 9"W x 21.8"D x 12"H
- D - 9"W x 21.8"D x 18"H
- E - 10.5"W x 21.8"D x 12"H
- F - 10.5"W x 21.8"D x 18"H

Internal Dimensions



WARRANTY
 18 Months Parts and Labor
 5 Years Compressor (part only)
 Administered by:
 MetalFrio Solutions
 (888) 403-0070 Toll Free



Product design and specifications are subject to modification by manufacturer without prior notice.