

# COUNTERTOP COOLER



Model MT-84

## FEATURES

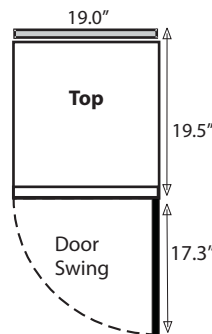
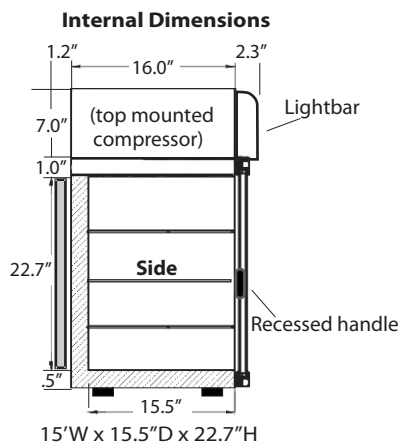
- ▶ Lightbar for display of branding
- ▶ Grey painted galvanized steel exterior
- ▶ Grey ABS heavy-duty plastic lining
- ▶ Auto defrosting by thermostat cycle
- ▶ Insulated, heat-reflective, tempered glass door
- ▶ Forced air system, top mounted
- ▶ Internal side-mounted light with T8 bulb
- ▶ Self-closing door with tight magnetic seal
- ▶ Cooler temperature range +34° to +41° F
- ▶ Built-in door lock and keys
- ▶ Refrigerant CFC-free R-134a
- ▶ 7-ft power cord and plug set
- ▶ Packout: 12 oz soda cans - 84  
20 oz soda bottles - 45

## OPTIONS

- ▶ Hanging thermometer
- ▶ Custom graphics

## SPECIFICATIONS

Model	Shelves	External Dimensions W x D x H	Gross Cu Ft	Net Cu Ft	Shipping Weight	Amps	H/P	Electrical
MT-84	3 Adj	19.0" x 19.5" x 31.9"	3.9	3.2	110	2.5	1/8	115/120V, 60Hz



**WARRANTY**  
18 Months Parts and Labor  
5 Years Compressor (part only)

Administered by:  
Metalfrio Solutions  
(888) 403-0070 Toll Free



Certified to ANSI/NSF 7 Standards

Product design and specifications are subject to modification by manufacturer without prior notice.