

UPRIGHT FREEZER

Single Door



STAR-55
Curved Glass Door

FEATURES

- ▶ Durable white baked on enamel finish
- ▶ Light canopy for branding display
- ▶ Internal vertical lights
- ▶ Curved double glass anti-condensation door
- ▶ Auto defrost
- ▶ Malfunction alarm system
- ▶ Self-closing door
- ▶ Four adjustable legs
- ▶ Freezer temperature range +5° to -15°F
- ▶ Refrigerant CFC-free R-404a
- ▶ 7-ft power cord and plug set

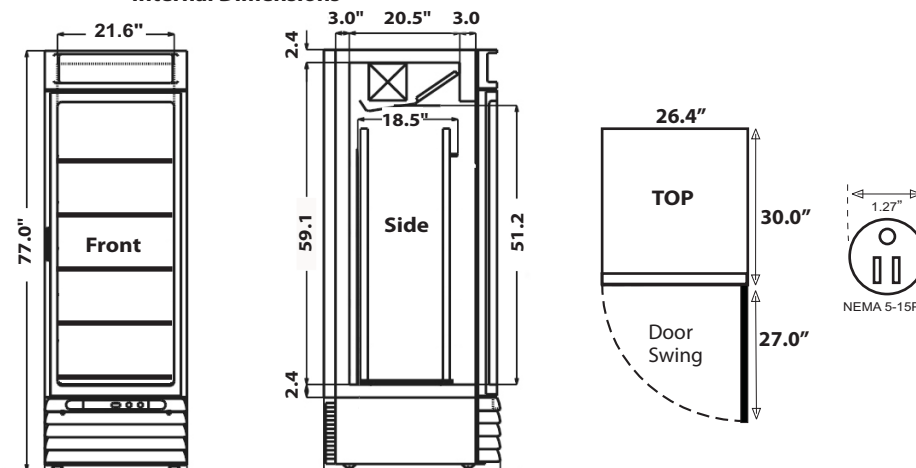
OPTIONS

- ▶ Custom graphics

SPECIFICATIONS

Model	Shelves	External Dimensions W x D x H	Gross Cu Ft	Net Cu Ft	Shipping Weight	Amps	H/P	Electrical
STAR-55	4 Adj 1 Bottom	26.4" x 32.7" x 77.0"	17	12	411	12	1/2	115/120V, 60Hz

Internal Dimensions



WARRANTY

18 Months Parts and Labor
5 Years Compressor (part only)

Administered by:
MetalFrio Solutions
(888) 403-0070 Toll Free

 LISTED 68XA

Certified to ANSI/NSF 7 Standards

Product design and specifications are subject to modification by manufacturer without prior notice.