

# BEER SUPER COOLER COUNTERTOPS

Exclusively Designed to Increase Beer Sales by Promoting Sub-Frozen Temperatures



Model VN-12C



Model VN-12R

## FEATURES

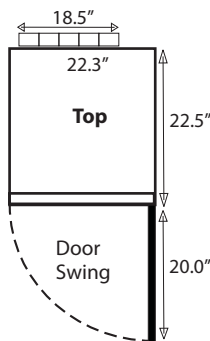
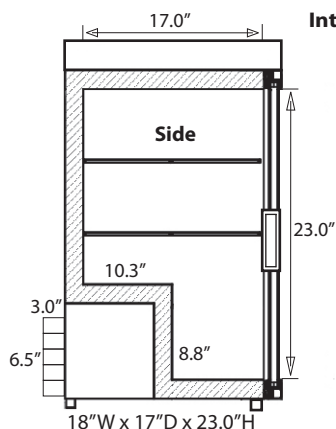
- ▶ Large lighted LED temperature display
- ▶ Black baked on enamel exterior, white sheet metal interior
- ▶ Frost free - automatic defrost by thermostat cycle
- ▶ Finned evaporator with cold air forced ventilation
- ▶ Recessed door handle (VN-12C)
- ▶ Anti-fogging tempered glass auto-close door (VN-12R)
- ▶ Insulated solid auto-close door (VN-12C)
- ▶ Built-in lock and keys
- ▶ Illuminated lightbar for branding display
- ▶ Interior light
- ▶ Operating temperature range: +26 to +30° F  
*Note: Super cold temperatures for beer sales only, not suitable for colas*
- ▶ Refrigerant CFC-free R-134a
- ▶ 7-ft power cord and plug set
- ▶ Packout:
  - 12 oz beer cans - 63
  - 12 oz beer long neck bottles - 63
  - 20 oz beer bottles - 42

## OPTIONS

- ▶ Custom graphics

## SPECIFICATIONS

Model	Shelves (Adj + Fixed)	External Dimensions W x D x H	Gross Cu Ft	Net Cu Ft	Shipping Weight	Amps	H/P	Electrical
VN-12C	2 (1 + 1)	22.4" x 26.2" x 33.5"	4.5	3.3	154	4.5	1/6	115/120V, 60Hz
VN-12R	2 (1 + 1)	22.4" x 26.2" x 33.5"	4.5	3.3	164	4.5	1/6	115/120V, 60Hz



### WARRANTY

18 Months Parts and Labor  
5 Years Compressor (part only)

Administered by:  
Metalrio Solutions  
(888) 403-0070 Toll Free



Certified to ANSI/NSF 7 Standards

Product design and specifications are subject to modification by manufacturer without prior notice.