

BEER SUPER COOLER UPRIGHTS

Exclusively Designed to Increase Beer Sales by Promoting Sub-Frozen Temperatures



Model VN-29C



Model VN-29R

FEATURES

- ▶ Large lighted LED temperature display
- ▶ Black baked on enamel exterior, white sheet metal interior
- ▶ Frost free - automatic defrost by thermostat cycle
- ▶ Finned evaporator with cold air forced ventilation
- ▶ Recessed door handle (VN-50C)
- ▶ Anti-fogging tempered glass auto-close door (VN-50R)
- ▶ Insulated solid auto-close door (VN-50C)
- ▶ Illuminated lightbar for branding display
- ▶ Interior light
- ▶ Operating range: +26° to +30° F

Note: Super cold temperatures for beer sales only, not suitable for cola

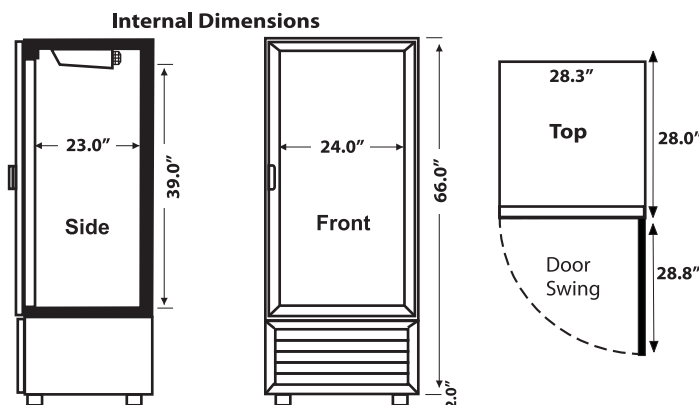
- ▶ Refrigerant CFC-free R-134a
- ▶ 7-ft power cord and plug set
- ▶ Packout:
 - 12 oz beer cans - 315
 - 20 oz beer bottles - 192

OPTIONS

- ▶ Custom graphics

SPECIFICATIONS

Model	Shelves (Adj + Fixed)	External Dimensions W x D x H	Gross Cu Ft	Net Cu Ft	Shipping Weight	Amps	H/P	Electrical
VN-29C	4 (3 + 1)	28.3" x 28.0" x 67.6"	15.8	10.9	272	6.0	1/4	115/120V, 60Hz
VN-29R	4 (3 + 1)	28.3" x 28.0" x 67.6"	15.8	10.9	300	6.0	1/4	115/120V, 60Hz



WARRANTY
 18 Months Parts and Labor
 5 Years Compressor (part only)

Administered by:
 Metalfrio Solutions
 (888) 403-0070 Toll Free



Certified to UL Std 197 & ANSI/NSF 7 Standards

Product design and specifications are subject to modification by manufacturer without prior notice.