

BEER SUPER COOLER UPRIGHTS

Exclusively Designed to Increase Beer Sales by Promoting Sub-Frozen Temperatures



Model VN-50C



Model VN-50R

FEATURES

- ▶ Large lighted LED temperature display
- ▶ Black baked on enamel exterior, white sheet metal interior
- ▶ Frost free - automatic defrost by thermostat cycle
- ▶ Finned evaporator with cold air forced ventilation
- ▶ Recessed door handle (VN-50C)
- ▶ Anti-fogging tempered glass auto-close door (VN-50R)
- ▶ Insulated solid auto-close door (VN-50C)
- ▶ Illuminated lightbar for branding display
- ▶ Interior light
- ▶ Operating range: +26° to +30° F

Note: Super cold temperatures for beer sales only, not suitable for cola

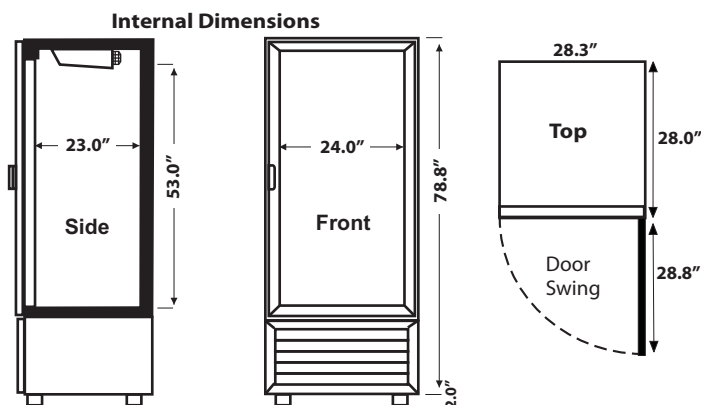
- ▶ Refrigerant CFC-free R-134a
- ▶ 7-ft power cord and plug set
- ▶ Packout:
 - 12 oz beer cans - 315
 - 20 oz beer bottles - 192

OPTIONS

- ▶ Custom graphics

SPECIFICATIONS

Model	Shelves (Adj + Fixed)	External Dimensions W x D x H	Gross Cu Ft	Net Cu Ft	Shipping Weight	Amps	H/P	Electrical
VN-50C	5 (4 + 1)	28.3" x 28.0" x 80.8"	20.2	17.6	298	6.5	1/3	115/120V, 60Hz
VN-50R	5 (4 + 1)	28.3" x 28.0" x 80.8"	20.2	17.6	342	6.5	1/3	115/120V, 60Hz



WARRANTY

18 Months Parts and Labor
5 Years Compressor (part only)

Administered by:
MetalFrio Solutions
(888) 403-0070 Toll Free



Certified to UL Std 197 & ANSI/NSF 7 Standards

Product design and specifications are subject to modification by manufacturer without prior notice.

MetalFrio Solutions, Inc.
110 Enterprise Parkway - Boerne, TX 78006
(888) 403-0070 Toll Free - (888) 339-1904 Toll Free Fax
www.metalFrio.com - sales@metalFrio.com

Effective Date - January, 2011